
SECTION 3

PARTS LIST

TABLE OF CONTENTS

RECOMMENDED SPARE PARTS	59
1. MECHA BLOCK	60
2. MOTOR BLOCK	62
3. PRE AMP P.C BOARD BLOCK	64
4. SYS. CON. P.C BOARD BLOCK	65
5. TUNING P.C BOARD BLOCK	66
6. POWER P.C BOARD BLOCK	67
7. METER DRIVE P.C BOARD BLOCK	67
8. METER P.C BOARD BLOCK	67
9. MOTOR P.C BOARD BLOCK	67
10. INDICATOR P.C BOARD BLOCK	67
11. DOOR OPEN P.C BOARD BLOCK	67
12. MONITOR P.C BOARD BLOCK	67
13. DOOR BLOCK	68
14. ASSEMBLY BLOCK	70
15. FINAL ASSEMBLY BLOCK	72
INDEX	73

Resistor and Capacitor which is not listed in this parts list, please refer to COMMON LIST FOR SERVICE PARTS.

ATTENTION

1. When placing an order for parts, be sure to list the parts no., model no., and description. There are instances in which if any of this information is omitted, parts cannot be shipped or the wrong parts will be delivered.
2. Please be careful not to make a mistake in the parts no. If the parts no. is in error, a part different from the one ordered may be delivered.
3. Because parts number and parts unit supply in the Preliminary Parts List may be partially changed, please use this parts list for all future reference.

HOW TO USE THIS PARTS LIST

1. This Parts List shows the parts that are considered necessary for repairs. Other parts, such as resistors and capacitors, are shown in the "Common List for Service Parts". Select and order such parts from the "Common List for Service Parts".
2. The Recommended Spare Parts shows those parts in the Parts List which are considered particularly important for service.
3. Parts not shown in the Parts List and "Common List for Service Parts" will not be supplied in principle.
4. How to read list

a) Mechanism Block

b) P.C Board Block

2. HEAD BASE BLOCK

REF. NO.	PARTS NO.	DESCRIPTION
2-1x	BH-T2023A320A	HEAD BASE BLOCK GX-F66R
2-2	HP-H2206A010A	HEAD R/P PR4-8FU C
2-3	ZS-477876	PAN20x03STL CMT
2-4	ZS-536488	BID20x08STL CMT
2-5	ZG-402895	CS ANGLE ADJUST SPRING

SP (Service Parts) Classification

A small "x" indicates the inability to show that particular part in the Photo or Illustration.

This number corresponds with the individual parts index number in that figure

This number corresponds with the Figure Number

6. SYS. CON. P.C BOARD BLOCK

REF. NO.	PARTS NO.	DESCRIPTION
6-1	BA-T2034A070A	PC SYS CON BLK GX-F44R
6-IC1	EI-324536	IC HD14049BP
6-IC2	EI-336801	IC MB8841-564M
6-IC3	EI-331661	IC SN7405N
6-IC4	EI-336725	IC M54527P
6-TR1to4	ET-200985	TR 2SC2603 F,G
6-TR5to28	ET-554657	TR 2SA733A P,Q
6-D1	ED-318292	D SILICON H 1S2473T-77 T26
6-D2to4	ED-308952	D GERMA V 1K34A-LR F07
6-D5to10	ED-318292	D SILICON H 1S2473T-77 T26
6-X1	EI-318384	OSC X'TAL NC-18C 3.579545MHZ

SP (Service Parts) Classification

This reference numbers corresponds with symbol numbers of Schematic Diagrams.

5. Both the kind of part and installation position can be determined by the Parts Number. To determine where a parts number is listed, utilize Parts Index at end of Parts List. It is necessary first of all to find the Parts Number. This can be accomplished by using the Reference Number listed at right of parts number in the Parts Index.

WARNING

▲ INDICATES SAFETY CRITICAL COMPONENTS. FOR CONTINUED SAFETY, REPLACE SAFETY CRITICAL COMPONENTS ONLY WITH MANUFACTURER'S RECOMMENDED PARTS.

AVERTISSEMENT

▲ IL INDIQUE LES COMPOSANTS CRITIQUES DE SURETE. POUR MAINTENIR LE DEGRE DE SECURITE DE L'APPAREIL NE REMPLACER LES COMPOSANTS DONT LE FONCTIONNEMENT EST CRITIQUE POUR LA SECURITE QUE PAR DES PIECES RECOMMANDEES PAR LE FABRICANT.

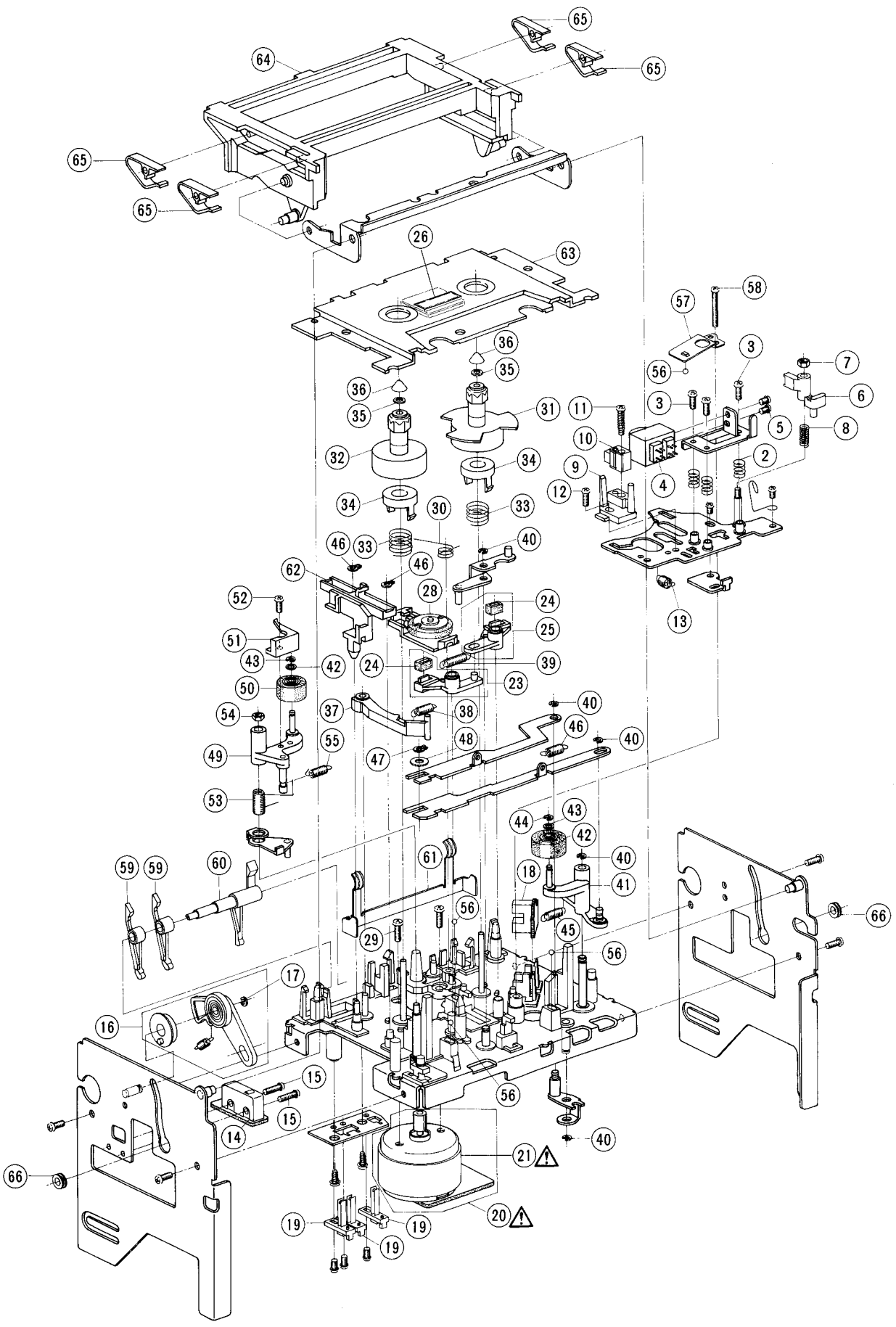
RECOMMENDED SPARE PARTS

Because, if the parts listed below are on hand, almost any repair can be accomplished, we suggest that you stock these Recommended Spare Parts Items.

NO.	PARTS NO.	DESCRIPTION	NO.	PARTS NO.	DESCRIPTION	NO.	PARTS NO.	DESCRIPTION
1	AX-336835	BATTERY 2/60DK	64	EF-327103	△ FUSE TSC A 250V 0.50A (U,J) (F4)	128	ET-338446	TR μPA75V P,F
2	BF-B336024	FLYWHEEL (A) PART	65	EF-327103	△ FUSE TSC A 250V 0.50A (U,J) (F7)	129	ET-200558	TR 2SA1115 E,F
3	BH-T2033A360A	△ HEAD BLK GX-F91	66	EF-309388	△ FUSE TSC A 250V 0.80A (U,J) (F2,3)	130	ET-338244	TR 2SA1207 R,S
4	BM-B336989	△ REEL MOTOR (PULLEY) PART	67	EF-306949	△ FUSE TSC A 250V 1.25A (U,J) (F5,6)	131	ET-554657	TR 2SA733A P,Q
5	BM-T2030A120A	△ REEL MOTOR BLK GX-F51	68	EF-309391	△ FUSE TSC 125V 0.08A (C,A) (F2,3)	132	ET-338180	TR 2SA798 E,F
6	BM-M3104A010A	△ MOTOR BLM-310	69	EF-315334	△ FUSE TSC 125V 0.25A (C,A) (F8,9)	133	ET-337012	TR 2SA984K D,E
7	BM-337351	△ MOTOR M32E-1	70	EF-309390	△ FUSE TSC 125V 0.50A(C,A) (F7)	134	ET-324134	TR 2SA984K E,F
8	BM-B337064	△ MOTOR OPERATION (PULLEY) PART	71	EF-309390	△ FUSE TSC 125V 0.50A(C,A) (F4)	135	ET-337760	TR 2SA984K F
9	BR-342719	REEL TABLE (B) ASSY	72	EF-309392	△ FUSE TSC 125V 1.25A (C,A) (F5,6)	136	ET-337967	TR 2SA990 E,F
10	BR-336606	REEL TABLE ASSY	73	EI-337568	HOLE ELEMENT DHD-H070	137	ET-338447	TR 2SA991 E,F
11	BT-337115	△ TRANS POWER T2033-A.C (C,A)	74	EI-328690	IC AM1408N8	138	ET-322598	TR 2SB632K E,F
12	BT-337117	△ TRANS POWER T2033-B.S (B,S)	75	EI-330352	IC BA6109	139	ET-318237	TR 2SB764 E,F
13	BT-337116	△ TRANS POWER T2033-E.V (E,V)	76	EI-336761	IC LA6458S	140	ET-336997	TR 2SB808-V G,H
14	BT-337114	△ TRANS POWER T2033-J (J)	77	EI-337013	IC LB1290	141	ET-337258	TR 2SC1843 E,F
15	BT-337113	△ TRANS POWER T2033-U (U)	78	EI-337009	IC LC4049	142	ET-308954	TR 2SC1844 E,F
16	BZ-T2033A340A	MECHA BLK GX-F91	79	EI-325755	IC LC7550	143	ET-309353	TR 2SC2274 E,F
17	BZ-T2030A110A	OIL CLUTCH BLK GX-F51	80	EI-337008	IC LC7800	144	ET-337011	TR 2SC2274K D,E
18	EC-338341	C COMP 05-0034	81	EI-306009	IC LM1111A	145	ET-308977	TR 2SC2274K F
19	EC-300034	C S-FIX H ECR-CA100H12 9.0-100	82	EI-337370	IC LM13600N	146	ET-338350	TR 2SC2291 F,G
20	EC-337017	OSC CE CSB800A 0.8MHZ	83	EI-337006	IC LM6402H-063	147	ET-200505	TR 2SC2603 E,F
21	ED-308953	D GERMA H 1K34A-LH SNP	84	EI-337118	IC MB8841-649M	148	ET-200985	TR 2SC2603 F,G
22	ED-308952	D GERMA V 1K34A-LR F07	85	EI-330475	IC M5L510P	149	ET-639437	TR 2SC945L Q,P
23	ED-337092	D LED GL-9HY4 YLW	86	EI-336994	IC M5230L	150	ET-328437	TR 2SD1012-V F,G
24	ED-337093	D LED GL-9NG4 GRN	87	EI-213390	IC NJM4558D	151	ET-328868	TR 2SD1012-V G,H
25	ED-328791	D LED GL-9PR4 RED	88	EI-201940	IC NJM4558S	152	ET-338324	TR 2SD1012-V H
26	ED-337101	D LED LT9200H YLW	89	EI-314647	IC TA7179P	153	ET-310148	TR 2SD612K E,F
27	ED-337091	D LED LT9200N GRN	90	EI-337126	IC TA7332P	154	ET-307349	TR 2SD794 P,Q
28	ED-312101	D LED SG238D GRN	91	EI-337329	IC TA78L007AP	155	ET-328440	TR 2SD863-V8 E,F
29	ED-337010	D LED SLF-201C GRN	92	EI-315379	IC TC5066BP	156	EV-341209	R S-FIX H CR19R 3P 0.50W 101
30	ED-332243	D LED SLP-171D RED	93	EI-337124	IC TC9142	157	EV-623193	R S-FIX H CR19R 3P 0.50W 222
31	ED-336786	D LED SLP-271D GRN	94	EI-324255	IC TL082CP	158	EV-312338	R S-FIX H CR19R 3P 0.50W 223
32	ED-312108	D LED SR538D RED	95	EI-337360	IC μPC4082C	159	EV-648753	R S-FIX H CR19R 3P 0.50W 473
33	ED-337330	D LED SY438D YLW	96	EI-304164	IC μPD4011C	160	EV-301729	R S-FIX H CR19R 3P 0.50W 681
34	ED-301911	D SILICON H DS448	97	EI-319555	IC μPD4049C	161	EV-315416	R S-FIX H D8 3P 103
35	ED-200469	D SILICON H DS448 FA5 F10	98	EI-338238	IC μPD4051	162	EV-321637	R S-FIX H D8 3P 104
36	ED-200212	D SILICON H DS448Fx2 F07	99	EI-317653	IC μPD4066C	163	EV-314646	R S-FIX H D8 3P 202
37	ED-330987	D SILICON RB152 200/1.5A	100	EI-337123	OSC X'TAL 4.04727MHZ	164	EV-315752	R S-FIX H D8 3P 204
38	ED-200468	D SILICON V DS448-VB6	101	EL-337053	PL CORD 16.0V 80MA 400/400	165	EV-315413	R S-FIX H D8 3P 503
39	ED-306109	D SILICON W03B 100/1.0A	102	EP-328529	RELAY LEAD LAB2NS 2NO 12V	166	EV-330369	R S-FIX H SR19R 3P 0.15W 222
40	ED-330622	D SILICON 1SR35-100VL 100/1.0A	103	ER-337380	FILTER CE KMFC-100IS 3.580MHZ	167	EV-483377	R S-FIX H SR19R 3P 0.15W 473
41	ED-338322	D SILICON 10DF1 100/1.0A	104	ER-328490	FILTER DB D07-001K 19KHZ	168	EV-338570	R S-FIX V RVX0911 3P 503
42	ED-337090	D VARACTOR KV-1236	105	ER-328491	FILTER DB D07-003K 100KHZ	169	EV-522663	R S-FIX V V8K1-1 3P 104
43	ED-306983	D ZENER H HZ12 C3	106	ER-337376	R COMP 01-0399	170	EV-464253	R S-FIX V V8K1-1 3P 202
44	ED-331198	D ZENER H HZ3 A1	107	ER-337374	R COMP 01-0400	171	EV-572422	R S-FIX V8K1-1 3P 203
45	ED-338332	D ZENER H HZ4 A2	108	ER-337631	R COMP 01-0449	172	EV-337310	VR DETENT 00P20x0A A503
46	ED-338333	D ZENER H HZ5 B2	109	ER-318647	R FUSE ERD2FC F10 1/4W 4R7J	173	EV-337313	VR DETENT 00P20x0B B502
47	ED-337268	D ZENER H HZ5A-1	110	ES-336990	SW LEAF BSW-169 01-1 NO	174	EV-337312	VR DETENT 01P20x0A M503 N503
48	ED-331617	D ZENER H HZ6 A3	111	ES-337344	SW MICRO SS-01-ED UC	175	EV-337314	VR ROTARY 12P20x0C A203
49	ED-302295	D ZENER H HZ7 C3	112	ES-691457	SW MICRO VU-SR	176	EV-337052	VR ROTARY 16L10xOR B103
50	ED-337266	D ZENER H HZ9A-1	113	ES-312234	SW PUSH SDL-1P 01-1 E	177	EV-337106	VR ROTARY 16L10xOT B103
51	ED-338540	D ZENER V HZ20-2S1	114	ES-312235	SW PUSH SDL-1P 01-1 J	178	HE-337372	HEAD E E-3621-PR C
52	ED-338013	D ZENER V HZ24-3S1	115	ES-312238	SW PUSH SDL-1P 01-1 UC	179	HP-H2402A010A	HEAD COMBO PR4-5 C
53	ED-338082	D ZENER V HZ5C-1S1	116	ES-337311	SW PUSH SUN192A 2-04-02S	180	MB-336026	BELT CAPSTAN
54	ED-338318	D ZENER V HZ7C-3S1	117	ES-337319	SW PUSH SUN192A 2-06-02N	181	MB-666123	BELT DRIVE
55	ED-338083	D ZENER V HZ9C-3S1	118	ES-337232	SW ROTARY SBM1023N 2-02-03N	182	MB-336021	BELT OPERATION
56	ED-338477	THERMISTOR 112503-2	119	ES-283072	SW SLIDE SSC22LP 2-02-02N	183	MI-336025	FLYWHEEL (B)
57	EF-300588	△ FUSE EAWK T 250V 0.20A (E,B,S,V) (F8,9)	120	ES-309311	SW TACT KEG10904	184	MP-336153	PINCH ROLLER (A)
58	EF-695766	△ FUSE SEMKO T 250V 0.31A (E,B,S,V) (F1)	121	ES-336780	SW TACT KHH10902	185	MP-336204	PINCH ROLLER (B)
59	EF-593706	△ FUSE SEMKO T 250V 0.50A (E,B,S,V) (F4)	122	ET-337359	PHOTO SENSOR MCD-7213P	186	TC-T2033A040A	CLUTCH BLK GX-F91
60	EF-593706	△ FUSE SEMKO T 250V 0.50A (E,B,S,V) (F7)	123	ET-311977	PHOTO SENSOR SPI-201	187	TC-336002	HOLDER CAPSTAN (B)
61	EF-258344	△ FUSE SEMKO T 250V 0.80A (E,B,S,V) (F2,3)	124	ET-337111	TR FET 2SK146 GR, BL	188	TC-B336004A	HOLDER CAPSTAN (C-1) PART
62	EF-602550	△ FUSE SEMKO T 250V 1.25A (E,B,S,V) (F5,6)	125	ET-341400	TR FET 2SK170 BL, GR	189	TC-336605	WIND IDLER ASSY
63	EF-308933	△ FUSE TSC A 250V 0.20A (J) (F8,9)	126	ET-337235	TR FET 2SK170 BL,V			
			127	ET-337234	TR FET 2SK270 GR, BL			

When ordering parts, please quote Parts Number, Description and Model Number.

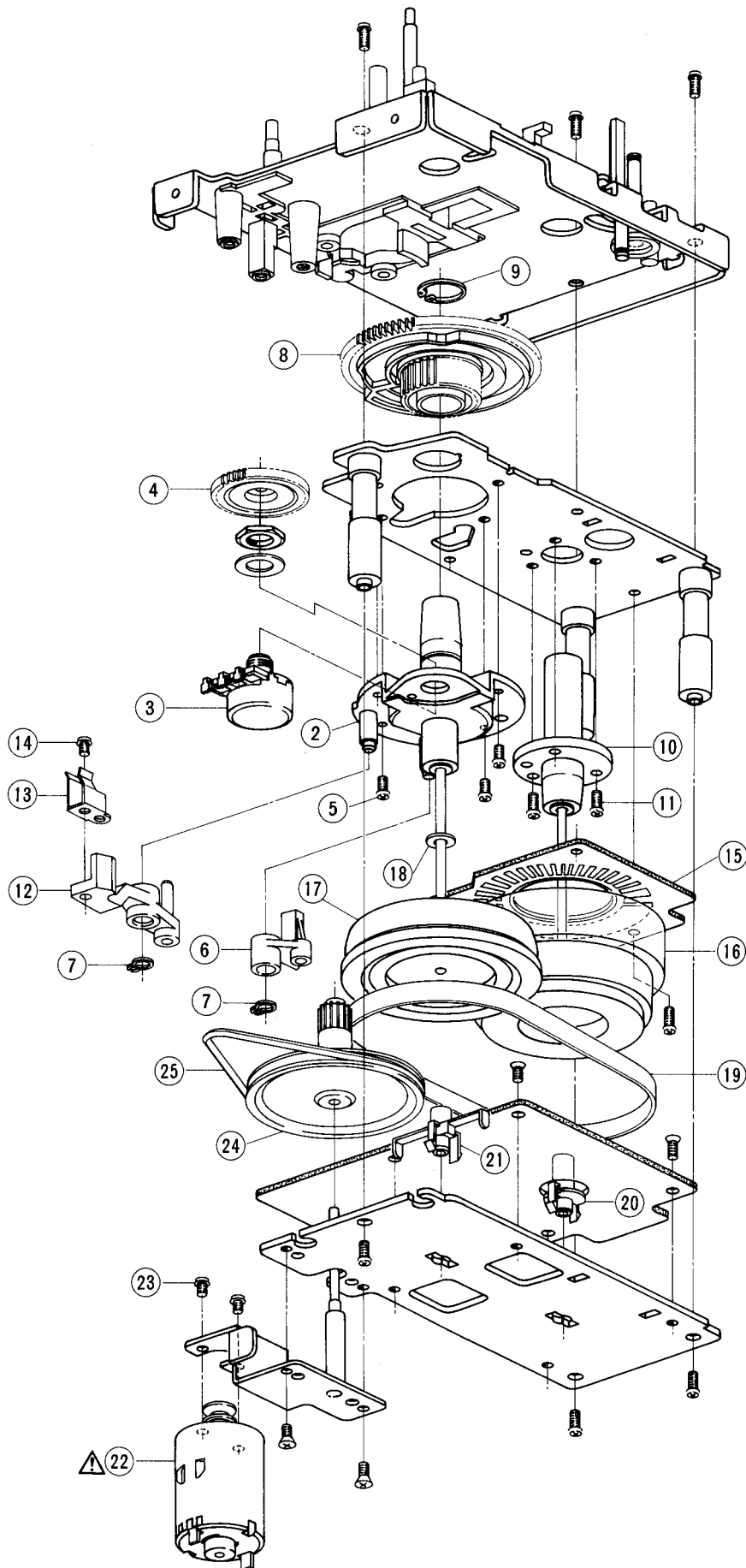
MECHA BLOCK



1. MECHA BLOCK

REF. NO.	PARTS NO.	DESCRIPTION	REF. NO.	PARTS NO.	DESCRIPTION
HEAD BLOCK			1-55	ZG-336208	SP PULL PINCH ROLLER (S)
1-1x	BH-T2033A360A	HEAD BLK GX-F91	1-56	MV-357208	BALL200STL
1-2	ZG-336127	SP PUSH HEAD	1-57	ZG-336157	SP PLATE HEAD HOLD
1-3	ZS-608095	PAN20x05STL CMT	1-58	ZS-342002	ST PAN26x16STL CMT
1-4	HP-H2402A010A	HEAD COMBO PR4-5 C	1-59	ML-336158	LEVER DETECTION (B)
1-5	ZS-477876	PAN20x03STL CMT	1-60	ML-336159	LEVER DETECTION (A)
1-6	HZ-336129	GUIDE TAPE	1-61	ZG-336160	SP PLATE CASSETTE HOLDER (A)
1-7	ZW-618884	N20STL CMT 1	1-62	TC-336161	SLIDE EJECT
1-8	ZG-336130	SP PUSH GUIDE	1-63	BD-B336162A	LED DECORATION (A) PART
1-9	HZ-336195	HOLDER HEAD E	1-64	SP-336163	LID CASE
1-10	HE-337372	HEAD E E-3621-PR C	1-65	ZG-336615	SP PLATE CASSETTE HOLDER (B)
1-11	ZS-342086	PLX PAN26x12STL CMT	1-66	SZ-336166	COLLAR LID
1-12	ZS-499331	PAN23x05STL CMT			
1-13	ZG-341972	SP PULL HEAD RETURN			
SW MICRO P.C BOARD BLOCK					
1-14	ES-337344	SW MICRO SS-01-ED UC (SW1)			
CHASSIS MECHA SIDE (L) BLOCK					
1-15	ZS-310337	PAN20x08STL CMT			
1-16	BZ-T2030A110A	OIL CLUTCH BLK GX-F51			
1-17	ZW-270088	RING E 190SUP CMT			
DETECTION P.C BOARD BLOCK					
1-18	ET-311977	PHOTO SENSOR SPI-201 (PH1)			
SW LEAF BLOCK					
1-19	ES-336990	SW LEAF BSW-169 01-1 NO (SW902, 903, 905)			
REEL MOTOR BLOCK					
1-20	BM-T2030A120A	△ REEL MOTOR BLK GX-F51			
1-21	BM-B336989	△ REEL MOTOR (PULLEY) PART			
1-22x	EO-669273	COIL FIX 2 FL5R200 18μH			
LEVER BRAKE (A) BLOCK					
1-23	BL-T2030A160A	LEVER BRAKE (A) BLK GX-F51			
1-24	TC-336146	BRAKE RUBBER			
LEVER BRAKE (B) BLOCK					
1-25	BL-T2030A170A	LEVER BRAKE (B) BLK GX-F51			
D LED BLOCK					
1-26	ED-337010	D LED SLF-201C GRN (D901)			
MECHA BLOCK					
1-27x	BZ-T2033A340A	MECHA BLK GX-F91			
1-28	TC-336605	WIND IDLER ASSY			
1-29	ZS-563444	BID26x08STL CMT			
1-30	ZG-336140	SP TORSION IDLER			
1-31	BR-336606	REEL TABLE ASSY			
1-32	BR-342719	REEL TABLE (B) ASSY			
1-33	ZG-336141	SP PUSH BT			
1-34	TC-336142	HOLDER BT SP			
1-35	ZW-330073	PW21x040x020			
1-36	MT-305793	REEL CAP			
1-37	BL-B336196	LEVER BT PART			
1-38	ZG-324331	SP T2-3.2/0.2-12.5 T2-041			
1-39	ZG-312946	SP T1-3.2/0.29-16.0 T1-062			
1-40	ZW-270088	RING E 190SUP CMT			
1-41	BL-B336150	ARM PINCH ROLLER (A) PART			
1-42	MP-336153	PINCH ROLLER (A)			
1-43	ZW-381644	PW21x040x013PSL			
1-44	ZW-356657	RING E 150SUP CMT			
1-45	ZG-336175	SP PULL PINCH ROLLER (T)			
1-46	ZG-321534	SP T2-3.2/0.29-12.5 T2-060			
1-47	ZW-336603	RING GRIP 285SUP ACP			
1-48	ZW-306464	PW31x070x050 STL CMT			
1-49	BL-B336202	ARM PINCH ROLLER (B) PART			
1-50	MP-336204	PINCH ROLLER (B)			
1-51	HZ-336205	GUIDE TAPE (B)			
1-52	ZS-608095	PAN20x05STL CMT			
1-53	ZG-336206	SP TORSION RETURN			
1-54	ZW-618884	N20STL CMT 1			

MOTOR BLOCK



2. MOTOR BLOCK

REF. NO.	PARTS NO.	DESCRIPTION
2-1x	BM-M3104A010A	Δ MOTOR BLM-310
2-2	TC-B336004A	HOLDER CAPSTAN (C-1) PART
2-3	EV-337052	VR ROTARY 16L10XOR B103
2-4	MZ-336005	GEAR POTENTION
2-5	ZS-432843	PAN26x04STL CMT
2-6	BL-B336007	LEVER BRAKE CAM PART
2-7	ZW-336603	RING GRIP 285SUP ACP
2-8	MZ-336006	CAM WHEEL
2-9	ZW-336604	RING S839SUP ACP
2-10	TC-336002	HOLDER CAPSTAN (B)
2-11	ZS-479474	PAN26x05STL CMT
2-12	BL-B336009	LEVER EJECT CAM PART
2-13	ZG-336011	SP PLATE CAM LEVER
2-14	ZS-477876	PAN20x03STL CMT
2-15	EA-336012	PC FG
2-16	BF-B336024	FLYWHEEL (A) PART
2-17	MI-336025	FLYWHEEL (B)
2-18	ZW-309295	THRUST WASHER
2-19	MB-336026	BELT CAPSTAN
2-20	TC-336016	HOLDER THRUST (A)
2-21	TC-336027	HOLDER THRUST (B)
2-22	BM-B337064	Δ MOTOR OPERATION (PULLEY) PART
2-23	ZS-477876	PAN20x03STL CMT
2-24	MR-336019	PULLEY OPERATE
2-25	MB-336021	BELT OPERATION

3. PRE AMP P.C BOARD BLOCK

REF. NO.	PARTS NO.	DESCRIPTION
3-1	BA-T2033A210A	PC PRE AMP BLK GX-F91(U) (U,J,C,A)
3-2	BA-T2033A210B	PC PRE AMP BLK GX-F91(E) (E,B,S,V)
3-3	BA-T2033A210C	PC PRE AMP BLK GX-F91-P(U) (U,J,C,A)
3-4	BA-T2033A210D	PC PRE AMP BLK GX-F91-P(E) (E,B,S,V)

PRE AMP P.C BOARD

3-IC1	EI-337360	IC μ PC4082C
3-IC2,3	EI-306009	IC LM1111A
3-IC4	EI-336761	IC LA6458S
3-IC5,6	EI-306009	IC LM1111A
3-IC7	EI-336761	IC LA6458S
3-IC8	EI-337360	IC μ PC4082C
3-IC9	EI-336761	IC LA6458S
3-IC10	EI-314647	IC TA7179P
3-IC11	EI-336994	IC M5230L
3-IC12	EI-337360	IC μ PC4082C
3-TR1	ET-328437	TR 2SD1012-V F,G
3-TR2,3	ET-200505	TR 2SC2603 E,F
3-TR4	ET-337234	TR FET 2SK270 GR,BL
3-TR5	ET-328578	TR 2SC2320 E,F
3-TR6	ET-338180	TR 2SA798 E,F
3-TR7	ET-308954	TR 2SC1844 E,F
3-TR8	ET-338181	TR 2SC2909 R,S
3-TR9	ET-338244	TR 2SA1207 R,S
3-TR10	ET-341400	TR FET 2SK170 BL,GR
3-TR11	ET-639437	TR 2SC945L Q,P
3-TR12	ET-337967	TR 2SA990 E,F
3-TR13	ET-639437	TR 2SC945L Q,P
3-TR14to18	ET-200505	TR 2SC2603 E,F
3-TR19	ET-337111	TR FET 2SK146 GR,BL
3-TR20	ET-338350	TR 2SC2291 F,G
3-TR21	ET-338446	TR UPA75V P,F
3-TR22,23	ET-308954	TR 2SC1844 E,F
3-TR24	ET-338447	TR 2SA991 E,F
3-TR25	ET-341400	TR FET 2SK170 BL,GR
3-TR26	ET-337258	Δ TR 2SC1843 E,F
3-TR27	ET-308954	TR 2SC1844 E,F
3-TR28	ET-337967	Δ TR 2SA990 E,F
3-TR29	ET-337234	TR FET 2SK270 GR,BL
3-TR30	ET-328578	TR 2SC2320 E,F
3-TR31	ET-338180	TR 2SA798 E,F
3-TR32	ET-308954	TR 2SC1844 E,F
3-TR33	ET-338181	TR 2SC2909 R,S
3-TR34	ET-338244	TR 2SA1207 R,S
3-TR35	ET-341400	TR FET 2SK170 BL,GR
3-TR36	ET-337258	TR 2SC1843 E,F
3-TR37	ET-200505	TR 2SC2603 E,F
3-TR38	ET-639437	TR 2SC945L Q,P
3-TR39to42	ET-200505	TR 2SC2603 E,F
3-TR43	ET-639437	TR 2SC945L Q,P
3-TR44	ET-337235	TR FET 2SK170 BL,V
3-TR45	ET-200505	TR 2SC2603 E,F
3-TR46	ET-337235	TR FET 2SK170 BL,V
3-TR47to49	ET-200505	TR 2SC2603 E,F
3-TR50	ET-322598	Δ TR 2SB632K E,F
3-TR51	ET-310148	Δ TR 2SD612K E,F
3-TR52	ET-310148	Δ TR 2SD612K E,F
3-TR53	ET-322598	Δ TR 2SB632K E,F
3-TR54	ET-328578	TR 2SC2320 E,F
3-TR55	ET-309353	TR 2SC2274 E,F
3-TR56	ET-324134	TR 2SA984K E,F
3-TR57	ET-328440	Δ TR 2SD863-V8 E,F
3-TR58	ET-318237	Δ TR 2SB764 E,F
3-TR59	ET-554657	TR 2SA733A P,Q
3-TR60	ET-639437	TR 2SC945L Q,P
3-D1to4	ED-301911	D SILICON H DS448
3-D5	ED-308952	D GERMA V 1K34A-LR F07
3-D6to9	ED-301911	D SILICON H DS448
3-D10	ED-308952	D GERMA V 1K34A-LR F07
3-D11to13	ED-301911	D SILICON H DS448

REF. NO.	PARTS NO.	DESCRIPTION
3-D16	ED-306983	D ZENER H HZ12 C3
3-D17	ED-306983	D ZENER H HZ12 C3
3-D18to20	ED-301911	D SILICON H DS448
3-J1	EJ-337098	PIN J P 4P (U,J,C,A)
3-J1	EJ-337097	JACK PLATE (E,B,S,V)
3-SW1	ES-283072	SW SLIDE SSC22LP 2-02-02N (E,B,S,V)
3-SW2	ES-337311	SW PUSH SUN192A 2-04-02S
3-SW3	ES-337319	SW PUSH SUN192A 2-06-02N
3-SW4	ES-337319	SW PUSH SUN192A 2-06-02N
3-VR1	EV-341209	R S-FIX H CR19R 3P 0.50W 101
3-VR2	EV-483377	R S-FIX H SR19R 3P 0.15W 473
3-VR3	EV-330369	R S-FIX H SR19R 3P 0.15W 222
3-VR4	EV-341209	R S-FIX H CR19R 3P 0.50W 101
3-VR5	EV-330369	R S-FIX H SR19R 3P 0.15W 222
3-VR6	EV-301729	R S-FIX H CR19R 3P 0.50W 681
3-VR7	EV-483377	R S-FIX H SR19R 3P 0.15W 473
3-VR8	EV-341209	R S-FIX H CR19R 3P 0.50W 101
3-VR9	EV-312338	R S-FIX H CR19R 3P 0.50W 223
3-VR10	EV-623193	R S-FIX H CR19R 3P 0.50W 222
3-FL1	EO-336738	COIL TUN 1 102AK-004 19.8KHZ
3-FL2	ER-328491	FILTER DB D07-003K 100KHZ
3-FL3	ER-328490	FILTER DB D07-001K 19KHZ
3-FL4	ER-328491	FILTER DB D07-003K 100KHZ
3-FL5	EO-336738	COIL TUN 1 102AK-004 19.8KHZ
3-R9	ER-314630	R MF H 1/4W 1003F
3-R10	ER-311757	R MF H 1/4W 4701F
3-R17,18	ER-338221	R MF H F10 1/4W 152J
3-R19,20	ER-338222	R MF H F10 1/4W 390J
3-R24	ER-338221	R MF H F10 1/4W 152J
3-R32	ER-314630	R MF H 1/4W 1003F
3-R49	ER-314597	R MF H 1/4W 1302F
3-R50	ER-338108	R MF H 1/4W 4421F
3-R74	ER-314597	R MF H 1/4W 1302F
3-R87	ER-338183	R MF H 1/4W 104J
3-R88,89	ER-338184	R MF H 1/4W 152J
3-R90,91	ER-338223	R MF H F10 1/4W 100J
3-R95	ER-338186	R MF H 1/4W 471J
3-R96	ER-338224	R MF H F10 1/4W 392J
3-R97	ER-338187	R MF H 1/4W 153J
3-R100	ER-338187	R MF H 1/4W 153J
3-R101,102	ER-338225	R MF H F10 1/4W 331J
3-R103	ER-338109	R MF H 1/4W 4703F
3-R104	ER-301387	R MF H 1/4W 1002F
3-R110,111	ER-311763	R MF H 1/4W 2401F
3-R112	ER-311767	R MF H 1/4W 1201F
3-R114	ER-341398	R MF H 1/4W 6801F
3-R119,120	ER-338221	R MF H F10 1/4W 152J
3-R121,122	ER-338222	R MF H F10 1/4W 390J
3-R126	ER-338227	R MF H F10 1/4W 332J
3-R134	ER-338228	R MF H F10 1/4W 104J
3-R142	ER-314597	R MF H 1/4W 1302F
3-R156	ER-314597	R MF H 1/4W 1302F
3-R157	ER-338108	R MF H 1/4W 4421F
3-R202,203	ER-341399	R MF H 1/4W 1502F
3-R204	ER-310324	R MF H 1/4W 1001F
3-R205	ER-314626	R MF H 1/4W 1801F
3-R206	ER-310326	R MF H 1/4W 1002F
3-R207	ER-311773	R MF H 1/4W 3301F
3-R208,209	ER-341399	R MF H 1/4W 1502F
3-R241,242	ER-338498	R MF H F10 1/4W 102J
3-R243	ER-338184	R MF H 1/4W 152J
3-FR1,2	ER-328519	Δ R FUSE ERD2FC F10 1/4W 68R0G
3-FR3,4	ER-331188	Δ R FUSE ERD2FC F10 1/4W 8R2J
3-FR5	ER-318248	Δ R FUSE ERD2FC 1/4W 47R0G
3-C1	EC-483300	C MC V FM 5R0D 500DC (E,B,S,V)
3-C2	EC-337261	C EC V F05 NP NXA 1R0M 50DC (E,B,S,V)
3-C3	EC-341411	C MC V FE 7R00D 500DC
3-C4	EC-341391	C MC V FE 220J 500DC
3-C5	EC-338506	C COMP V AWS 103J 50DC
3-C6,7	EC-337294	C MMY V MMH63 105K 63DC
3-C11	EC-337002	C EC V F05 NP NXA 100M 16DC

When ordering parts, please quote Parts Number, Description and Model Number.

REF. NO.	PARTS NO.	DESCRIPTION
3-C12to14	EC-327097	C STY V F05 CQ09S 102J 50DC
3-C15	EC-338435	C PP V F03 FPS 3302G 100DC
3-C18	EC-337261	C EC V F05 NP NXA 1R0M 50DC
3-C27	EC-337002	C EC V F05 NP NXA 100M 16DC
3-C28to30	EC-327097	C STY V F05 CQ09S 102J 50DC
3-C31	EC-338435	C PP V F03 FPS 3302G 100DC
3-C34	EC-341407	C MMY V MMH63 224J 63DC
3-C42	EC-341395	C MC V FE 680J 500DC
3-C44	EC-341396	C MC V FE 150J 500DC
3-C45	EC-341396	C MC V FE 150J 500DC
3-C46	EC-341411	C MC V FE 7R00D 500DC
3-C47	EC-318313	C COMP V AWS 393J 50DC
3-C48	EC-341407	C MMY V MMH63 224J 63DC
3-C49	EC-341408	C COMP V AWS 3902G 50DC
3-C50	EC-341409	C COMP V AWS 6801G 50DC
3-C51	EC-337294	C MMY V MMH63 105K 63DC
3-C52,53	EC-338468	C PP V F03 FPS 6800G 100DC
3-C54	EC-338469	C PP V F03 FPS 1301G 100DC
3-C55	EC-341410	C COMP V AWS 8201G 50DC
3-C60	EC-324921	C STY V F05 CQ09S 101J 50DC
3-C61	EC-341411	C MC V FE 7R00D 500DC
3-C62	EC-341391	C MC V FE 220J 500DC
3-C63	EC-338506	C COMP V AWS 103J 50DC
3-C64	EC-337294	C MMY V MMH63 105K 63DC
3-C68	EC-337002	C EC V F05 NP NXA 100M 16DC
3-C69to71	EC-327097	C STY V F05 CQ09S 102J 50DC
3-C72	EC-338435	C PP V F03 FPS 3302G 100DC
3-C75	EC-341407	C MMY V MMH63 224J 63DC
3-C82to84	EC-327097	C STY V F05 CQ09S 102J 50DC
3-C85	EC-338435	C PP V F03 FPS 3302G 100DC
3-C88	EC-337261	C EC V F05 NP NXA 1R0M 50DC
3-C98	EC-308142	C STY V F05 CQ09S 471J 50DC
3-C99	EC-377212	C MC V VFM 470J 50DC
3-C100	EC-337002	C EC V F05 NP NXA 100M 16DC
3-C105	EC-306018	C STY V F05 CQ09S 681J 50DC
3-C110,111	EC-328862	C STY V F05 CQF09 152J 50DC
3-C112,113	EC-338094	C MMY Y MMH63 104K 63DC
3-C118	EC-308142	C STY V F05 CQ09S 471J 50DC
3-C122	EC-637143	C MC V FM 7R00D 500DC
3-C137to140	EC-337294	C MMY V MMH63 105K 63DC
3-C143	EC-337002	C EC V F05 NP NXA 100M 16DC

PHONE JACK P.C BOARD

3-J1	EJ-336885	PHONE J 3P HLJ0607-023 6.3
3-J1	EJ-336886	PHONE J 3P HLJ0607-020 6.3 (P,BL)

4. SYS. CON. P.C BOARD BLOCK

REF. NO.	PARTS NO.	DESCRIPTION
4-1	BA-T2033A300A	PC SYS CON BLK GX-F91
SYS. CON. P.C BOARD		
4-IC1	EI-336761	IC LA6458S
4-IC2	EI-331275	IC TC9142P
4-IC3,4	EI-337008	IC LC7800
4-IC5	EI-337009	IC LC4049
4-IC6,7	EI-337013	IC LB1290
4-IC8	EI-337006	IC LM6402H-063
4-IC9	EI-336761	IC LA6458S
4-IC10	EI-330352	IC BA6109
4-TR1	ET-639437	TR 2SC945L Q,P
4-TR8,9	ET-200505	TR 2SC2603 E,F
4-TR10to14	ET-328868	TR 2SD1012-V G,H
4-TR15	ET-200505	TR 2SC2603 E,F
4-TR16,17	ET-336997	TR 2SB808-V G,H
4-TR19,20	ET-328868	TR 2SD1012-V G,H
4-TR21to25	ET-200505	TR 2SC2603 E,F
4-TR27	ET-554657	TR 2SA733A P,Q
4-TR29	ET-200505	TR 2SC2603 E,F
4-TR30	ET-554657	TR 2SA733A P,Q
4-TR31,32	ET-336997	TR 2SB808-V G,H
4-TR33	ET-200505	TR 2SC2603 E,F
4-D8	ED-200468	D SILICON V DS448-VB6
4-D10to12	ED-200468	D SILICON V DS448-VB6
4-D14	ED-200469	D SILICON H DS448 FA5 F10
4-D15	ED-337266	D ZENER H HZ9A-1
4-D16,17	ED-337268	D ZENER H HZ5A-1
4-D18	ED-200468	D SILICON V DS448-VB6
4-D26	ED-301911	D SILICON H DS448
4-J1	EJ-324276	DIN J TCS4680-01-111 P 8P
4-SR1	ER-337631	R COMP 01-0449
4-SR2	ER-337374	R COMP 01-0400
4-SR3	ER-337376	R COMP 01-0399
4-SR4	EC-338341	C COMP 05-0034
4-X1	EI-337123	OSC X'TAL 4.04727MHZ
4-X2	EC-337017	OSC CE CSB800A 0.8MHZ
4-R12	ER-658034	R OMF H FS 2W 221J
4-R124	ER-338235	R MF V 1/4W 1820F
4-R125	ER-338234	R MF V 1/4W 1331F
4-R126	ER-338233	R MF V 1/4W 2261F
4-R127	ER-338232	R MF V 1/4W 2871F
4-R128	ER-338231	R MF V 1/4W 5361F
4-FR1to3	ER-337871	Δ R FUSE ERQ14AJ 1/4W 330J

INTERMEDIATE P.C BOARD

4-D22to24	ED-200468	D SILICON V DS448-VB6
-----------	-----------	-----------------------

REC PAUSE P.C BOARD

4-TR40	ET-539133	TR 2SA733A P
4-TR41	ET-638504	TR 2SC945L P
4-D21,22	ED-200468	D SILICON V DS448-VB6

SYMBOL FOR DISTINATION

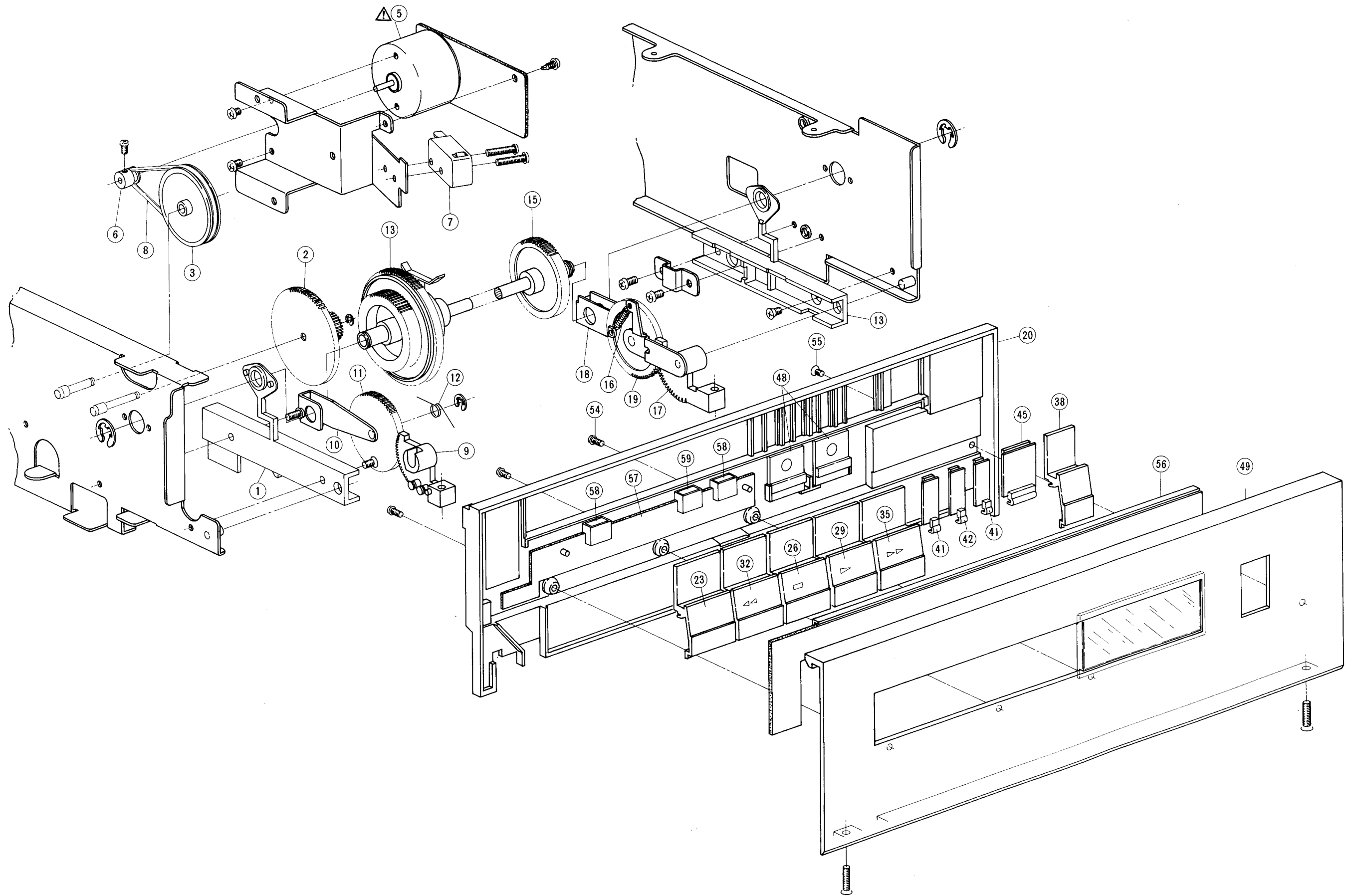
- U : UNIVERSAL AREA
- A : AMERICA
- B : UK
- C : CANADA
- E : EUROPE
- J : JAPAN
- S : AUSTRALIA
- V : GERMANY

5. TUNING P.C BOARD BLOCK

REF. NO.	PARTS NO.	DESCRIPTION	REF. NO.	PARTS NO.	DESCRIPTION
5-1	BA-T2033A250A	PC TUNING BLK GX-F91	5-R178	ER-338326	R MF H 1/4W 5602F
5-IC1	EI-337118	IC MB8841-649M	5-C9	EC-338434	C PP V F03 FPS 682J 100DC
5-IC2	EI-338238	IC μ PD4051	5-C12	EC-338579	C PP V F05 FPS 303J 100DC
5-IC3	EI-328690	IC AM1408N8	5-C14	EC-338431	C PP V F03 FPS 223J 100DC
5-IC4	EI-330475	IC M5L510P	5-C15	EC-338578	C PP V F03 FPS 102J 100DC
5-IC5	EI-317653	IC μ PD4066C	5-C16	EC-338430	C PP V F03 FPS 123J 100DC
5-IC6	EI-337370	IC LM13600N	5-C17	EC-341388	C MMY V MMH63 105J 63DC
5-IC7to11	EI-324255	IC TL082CP	5-C19	EC-341389	C MMY V MMH63 684J 63DC
5-IC12	EI-213390	IC NJM4558D	5-C20	EC-341388	C MMY V MMH63 105J 63DC
5-IC13to16	EI-336761	IC LA6458S	5-C21	EC-337002	C EC V F05 NP NXA 100M 16DC
5-TR1to4	ET-200985	TR 2SC2603 F,G	5-C22	EC-341391	C MC V FE 220J 500DC
5-TR5to10	ET-200558	TR 2SA1115 E,F	5-C23	EC-338506	C COMP V AWS 103J 50DC
5-TR11to13	ET-336997	TR 2SB808-V G,H	5-C26	EC-341393	C MC V FE 560J 500DC
5-TR14,15	ET-328868	TR 2SD1012-V G,H	5-C27	EC-338433	C PP V F03 FPS 273J 100DC
5-TR16	ET-338324	TR 2SD1012-V H	5-C28	EC-330310	C STY V F05 CQ09S 561J 50DC
5-TR17	ET-328868	TR 2SD1012-V G,H	5-C29	EC-341389	C MMY V MMH63 684J 63DC
5-TR18to23	ET-200985	TR 2SC2603 F,G	5-C42	EC-338434	C PP V F03 FPS 682J 100DC
5-TR24	ET-337234	TR FET 2SK270 GR,BL	5-C43	EC-321349	C MC V FM 150K 500DC
5-TR25,26	ET-337967	TR 2SA990 E,F	5-C44	EC-306018	C STY V F05 CQ09S 681J 50DC
5-TR27to29	ET-639437	TR 2SC945L Q,P	5-C46	EC-306018	C STY V F05 CQ09S 681J 50DC
5-TR30	ET-328868	TR 2SD1012-V G,H	5-C47	EC-321583	C PP V F10 PFH 102J 630DC
5-TR31,32	ET-200985	TR 2SC2603 F,G	5-C56	EC-443654	C MC V FM 150K 500DC
5-TR33	ET-337234	TR FET 2SK270 GR,BL	5-C60	EC-334064	C STY V F05 CQ09S 151J 50DC
5-TR34	ET-338350	TR 2SC2291 F,G	5-C64	EC-307684	C EC V F05 NP SM R47M 50DC
5-TR35	ET-338180	TR 2SA798 E,F	5-C66,67	EC-200948	C EC V F05 NP SM 1R0M 50DC
5-TR36	ET-308954	TR 2SC1844 E,F	5-C69	EC-341388	C MMY V MMH63 105J 63DC
5-TR37	ET-338181	TR 2SC2909 R,S	5-C71	EC-338449	C MC V FE 5R00D 500DC
5-TR38	ET-338244	TR 2SA1207 R,S	5-C72	EC-338451	C PP V F03 FPS 1001G 100DC
5-TR39	ET-639437	TR 2SC945L Q,P	5-C77	EC-341391	C MC V FE 220J 500DC
5-TR40,41	ET-200985	TR 2SC2603 F,G			
5-TR42	ET-307349	TR 2SD794 P,Q			
5-TR43to48	ET-200985	TR 2SC2603 F,G			
5-TR49	ET-307349	TR 2SD794 P,Q			
5-TR50,51	ET-200985	TR 2SC2603 F,G			
5-TR52to55	ET-308977	TR 2SC2274K F			
5-TR56to60	ET-200985	TR 2SC2603 F,G			
5-TR61,62	ET-328868	TR 2SD1012-V G,H			
5-TR63to68	ET-200985	TR 2SC2603 F,G			
5-TR69	ET-200558	TR 2SA1115 E,F			
5-TR70	ET-307349	TR 2SD794 P,Q			
5-TR71	ET-639437	TR 2SC945L Q,P			
5-D1to7	ED-301911	D SILICON H DS448			
5-D8	ED-337090	D VARACTOR KV-1236			
5-D9,10	ED-301911	D SILICON H DS448			
5-D11	ED-337090	D VARACTOR KV-1236			
5-D12,13	ED-301911	D SILICON H DS448			
5-D14	ED-338332	D ZENER H HZ4 A2			
5-D15to18	ED-301911	D SILICON H DS448			
5-D19	ED-338333	D ZENER H HZ5 B2			
5-D20,21	ED-301911	D SILICON H DS448			
5-D23to27	ED-301911	D SILICON H DS448			
5-D28	ED-331617	D ZENER H HZ6 A3			
5-D29,30	ED-301911	D SILICON H DS448			
5-VR1	EV-338570	R S-FIX V RVX0911 3P 503			
5-VR2,3	EV-341209	R S-FIX H CR19R 3P 0.50W 101			
5-VR4	EV-648753	R S-FIX H CR19R 3P 0.50W 473			
5-VR5	EV-321637	R S-FIX H D8 3P 104			
5-VR6	EV-315752	R S-FIX H D8 3P 204			
5-VR7	EV-314646	R S-FIX H D8 3P 202			
5-VR8	EV-321637	R S-FIX H D8 3P 104			
5-VR9	EV-315416	R S-FIX H D8 3P 103			
5-VR10	EV-315413	R S-FIX H D8 3P 503			
5-T1,2	EO-337343	COIL OSC 1 2325-267 100MHZ			
5-FL1	EO-315758	COIL TUN 1 100S-431 100KHZ			
5-FL2	ER-328491	FILTER DB D07-003K 100KHZ			
5-FL3	ER-337380	FILTER CE KMFC-1001S 3.580MHZ			
5-PH1	ET-337359	PHOTO SENSOR MCD-7213P			
5-RL1	EP-328529	RELAY LEAD LAB2NS 2NO 12V			
5-BT1	AX-336835	BATTERY 2/60DK			
5-TH1	ED-338477	THERMISTOR 112503-2			
5-VC1,2	EC-300034	C S-FIX H ECR-CA100H12 9.0-100			
5-FR1to5	ER-318647	R FUSE ERD2FC F10 1/4W 4R7J			
5-R177	ER-338325	R MF H 1/4W 4302F			

When ordering parts, please quote Parts Number, Description and Model Number.

DOOR BLOCK



6. POWER P.C BOARD BLOCK

REF. NO.	PARTS NO.	DESCRIPTION
6-1	BA-T2033A310A	PC POWER BLK GX-F91(U)
6-2	BA-T2033A310B	PC POWER BLK GX-F91(J)
6-3	BA-T2033A310C	PC POWER BLK GX-F91(C)
6-4	BA-T2033A310D	PC POWER BLK GX-F91(E),(V)
6-5	BA-T2033A310E	PC POWER BLK GX-F91(B),(S)
6-6	BA-T2033A310F	PC POWER BLK GX-F91(A)
6-IC1	EI-337329	IC TA78L007AP
6-TR1	ET-200986	TR 2SD863-V8 F
6-TR2	ET-322598	△ TR 2SB632K E,F
6-TR3	ET-639437	TR 2SC945L Q,P
6-TR4	ET-322598	△ TR 2SB632K E,F
6-TR5	ET-639437	TR 2SC945L Q,P
6-TR6	ET-322598	△ TR 2SB632K E,F
6-TR7	ET-639437	TR 2SC945L Q,P
6-TR8	ET-337760	△ TR 2SA984K F
6-TR9	ET-639437	TR 2SC945L Q,P
6-D1to4	ED-306109	△ D SILICON W03B 100/1.0A
6-D5	ED-338013	D ZENER V HZ24-3S1
6-D6	ED-338540	D ZENER V HZ20-2S1
6-D7	ED-330987	△ D SILICON RB152 200/1.5A
6-D8	ED-338083	D ZENER V HZ9C-3S1
6-D9	ED-338082	D ZENER V HZ5C-1S1
6-D10	ED-302295	D ZENER H HZ7 C3
6-D11to14	ED-338322	△ D SILICON 10DF1 100/1.0A
6-D15	ED-330622	D SILICON 1SR35-100VL 100/1.0A
6-D16	ED-338318	D ZENER V HZ7C-3S1
6-D17	ED-200468	D SILICON V DS448-VB6
6-SW1	ES-312234	△ SW PUSH SDL-1P 01-1 E (U,E,B,S,V)
6-SW1	ES-312235	△ SW PUSH SDL-1P 01-1 J (J) (C,A)
6-SW1	ES-312238	△ SW PUSH SDL-1P 01-1 UC (C,A)
6-VS1	EJ-283140	△ SOCKET SELECTER X-I7238 6P(U)
6-R1	ER-338319	△ R CB H FS RDS 1/2W 222J
6-C1	EC-338592	△ C MMY V ECQEW 104J 250AC(U,B,S,V)
6-C1	EC-338400	△ C MMY V ECQ-E 473M 125DC(J)
6-C1	EC-338419	△ C MMY V ECQUE 473JM 125AC(C,A)
6-C2,3	EC-201758	C EC V CUT USM 332M 25.0DC
6-C18	ER-201749	C EC V CUT USM 102M 16DC

SYMBOL FOR DISTINATION

U : UNIVERSAL AREA
A : AMERICA
B : UK
C : CANADA
E : EUROPE
J : JAPAN
S : AUSTRALIA
V : GERMANY

7. METER DRIVE P.C BOARD BLOCK

REF. NO.	PARTS NO.	DESCRIPTION
7-1	BA-T2033A190A	PC METER DRIVE BLK GX-F91
7-IC1	EI-304164	IC μPD4011C
7-IC2	EI-319555	IC μPD4049C
7-IC3,4	EI-336761	IC LA6458S
7-IC5	EI-337126	IC TA7332P
7-IC6,7	EI-315379	IC TCS066BP
7-TR1	ET-554657	TR 2SA733A P,Q
7-TR2	ET-639437	TR 2SC945L Q,P
7-TR3,4	ET-554657	TR 2SA733A P,Q
7-TR5to11	ET-639437	TR 2SC945L Q,P
7-TR12	ET-554657	TR 2SA733A P,Q
7-TR13to21	ET-639437	TR 2SC945L Q,P
7-D1to5	ED-301911	D SILICON H DS448
7-D6,7	ED-308953	D GERMA H 1K34A-LH SNP
7-D8to31	ED-301911	D SILICON H DS448
7-D32	ED-331198	D ZENER H HZ3 A1
7-D33to35	ED-301911	D SILICON H DS448
7-D36	ED-301911	D SILICON H DS448
7-VR1	EV-572422	R S-FIX V V8K1-1 3P 203
7-VR2	EV-522663	R S-FIX V V8K1-1 3P 104
7-R27	ER-338593	R OMF H SNP FS 2W 821J
7-C16,17	EC-314986	C EC V CUT NP LR R47M 50DC

8. METER P.C BOARD BLOCK

REF. NO.	PARTS NO.	DESCRIPTION
8-IC1	EI-325755	IC LC7550
8-D1to3	ED-200469	D SILICON H DS448 FA5 F10
8-D4	ED-312101	D LED SG238D GRN
8-D5,6	ED-337330	D LED SY438D YLW
8-D7	ED-312108	D LED SR538D RED
8-D8to11	ED-200469	D SILICON H DS448 FA5 F10
8-IN1	EM-337125	IND FL BG-107Z GRAPH

9. MOTOR P.C BOARD BLOCK

REF. NO.	PARTS NO.	DESCRIPTION
9-IC1	EI-201940	IC NJM4558S
9-IC3,4	EI-337568	HOLE ELEMENT DHD-H070
9-TR1	ET-337011	TR 2SC2274K D,E
9-TR2	ET-337012	TR 2SA984K D,E
9-TR3	ET-337011	TR 2SC2274K D,E
9-TR4	ET-337012	TR 2SA984K D,E
9-D5	ED-338561	D ZENER H HZ2 F10 B2
9-VR1,2	EV-464253	R S-FIX V V8K1-1 3P 202

10. INDICATOR P.C BOARD BLOCK

REF. NO.	PARTS NO.	DESCRIPTION
10-D1to6	ED-337091	D LED LT9200N GRN
10-D7	ED-337093	D LED GL-9NG4 GRN
10-D8to15	ED-337848	D LED GL-9HY84 YLW
10-D16	ED-328791	D LED GL-9PR4 RED
10-D17	ED-337093	D LED GL-9NG4 GRN
10-D21to29	ED-200212	D SILICON H DS448Fx2 F07

11. DOOR OPEN P.C BOARD BLOCK

REF. NO.	PARTS NO.	DESCRIPTION
11-TR1	ET-200505	TR 2SC2603 E,F
11-TR2,3	ET-328868	TR 2SD1012-V G,H
11-TR4,5	ET-324134	TR 2SA984K E,F
11-D1,2	ED-200468	D SILICON V DS448-VB6
11-L1,2	EO-669273	COIL FIX 2 FL5R200 18μH

12. MONITOR P.C BOARD BLOCK

REF. NO.	PARTS NO.	DESCRIPTION
12-D1	ED-332243	D LED SLP-171D RED
12-D2	ED-336786	D LED SLP-271D GRN
12-SW1	ES-309311	SW TACT KEG10904

13. DOOR BLOCK

REF. NO.	PARTS NO.	DESCRIPTION
CHASSIS (L) BLOCK		
13-1	MZ-332667	GUIDE (L)
13-2	TC-336506	GEAR SHIFT DOWN
13-3	TC-332657	GEAR PULLEY
13-4	ZW-270088	RING E 190SUP CMT
13-5	BM-337351	△ MOTOR M32E-1
13-6	MR-336511	PULLEY MOTOR
13-7	ES-691457	SW MICRO VU-SR
13-8	MB-666123	BELT DRIVE
HINGE (L) BLOCK		
13-9	BL-B332649	LEVER HINGE (L) PART
13-10	BL-B332654	LEVER MAIN PART
13-11	TC-332661	GEAR IDLER (L)
13-12	ZG-336524	SP TORSION MASS BALANCE (B)
CLUTCH BLOCK		
13-13	TC-T2033A040A	CLUTCH BLK GX-F91
CHASSIS (R) BLOCK		
13-14	TC-332666	GUIDE (R)
HINGE (R) BLOCK		
13-15	BZ-T2033A070A	HINGE (R) BLK GX-F91
13-16	ZG-312961	SP T1-3.2/0.45-14.0 T1-076
13-17	BL-B332650	LEVER HINGE (R) PART
13-18	BL-B332654X2	LEVER MAIN PART (2)
13-19	TC-342413	GEAR IDLER (R)
DOOR BLOCK		
13-20	SE-332689A	ESCUTCHEON DOOR
13-21x	SE-332689B	ESCUTCHEON DOOR-P
13-22x	SE-332689C	ESCUTCHEON DOOR-B
13-23	SK-332694A	KNOB OPERATE (A-1)
13-24x	SK-332694B	KNOB OPERATE (A-1)-P
13-25x	SK-332694C	KNOB OPERATE (A-1)-B
13-26	SK-332694D	KNOB OPERATE (A-2)
13-27x	SK-332694E	KNOB OPERATE (A-2)-P
13-28x	SK-332694F	KNOB OPERATE (A-2)-B
13-29	SK-B332695A	KNOB OPERATE (A-3) PART
13-30x	SK-B332695B	KNOB OPERATE (A-3)-P PART
13-31x	SK-B332695C	KNOB OPERATE (A-3)-B PART
13-32	SK-B332696A	KNOB OPERATE (A-4) PART
13-33x	SK-B332696B	KNOB OPERATE (A-4)-P PART
13-34x	SK-B332696C	KNOB OPERATE (A-4)-B PART
13-35	SK-B332697A	KNOB OPERATE (A-5) PART
13-36x	SK-B332697B	KNOB OPERATE (A-5)-P PART
13-37x	SK-B332697C	KNOB OPERATE (A-5)-B PART
13-38	SK-332699A	KNOB OPERATE (B)
13-39x	SK-332699B	KNOB OPERATE (B)-P
13-40x	SK-332699C	KNOB OPERATE (B)-B
13-41	SK-B332701A	KNOB OPERATE (C-1) PART
13-42	SK-B332701B	KNOB OPERATE (C-2) PART
13-43x	SK-B332701C	KNOB OPERATE (C-2)-P PART
13-44x	SK-B332701D	KNOB OPERATE (C-2)-B PART
13-45	SK-B332704A	KNOB OPERATE (D) PART
13-46x	SK-B332704B	KNOB OPERATE (D)-P PART
13-47x	SK-B332704C	KNOB OPERATE (D)-B PART
13-48	ED-337010	D LED SLF-201C GRN
13-49	BD-B332688A	PANEL DOOR PART
13-50x	BD-B332688B	PANEL DOOR-P PART
13-51x	BD-B332688C	PANEL DOOR-B PART
13-52x	SZ-330911	CUCHEON RUBBER
13-53x	SZ-330911B	CUCHEON RUBBER (BL)
13-54	ZS-356681	PAN23x05STL NI3
13-55	ZS-312963	CTS23x04STL NI3

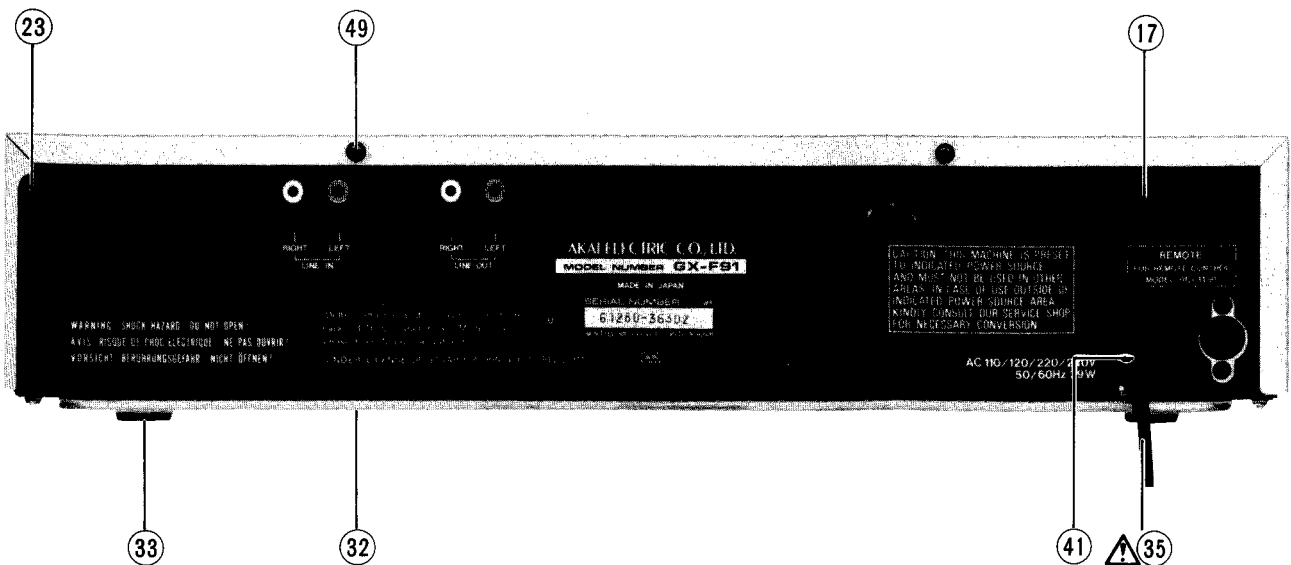
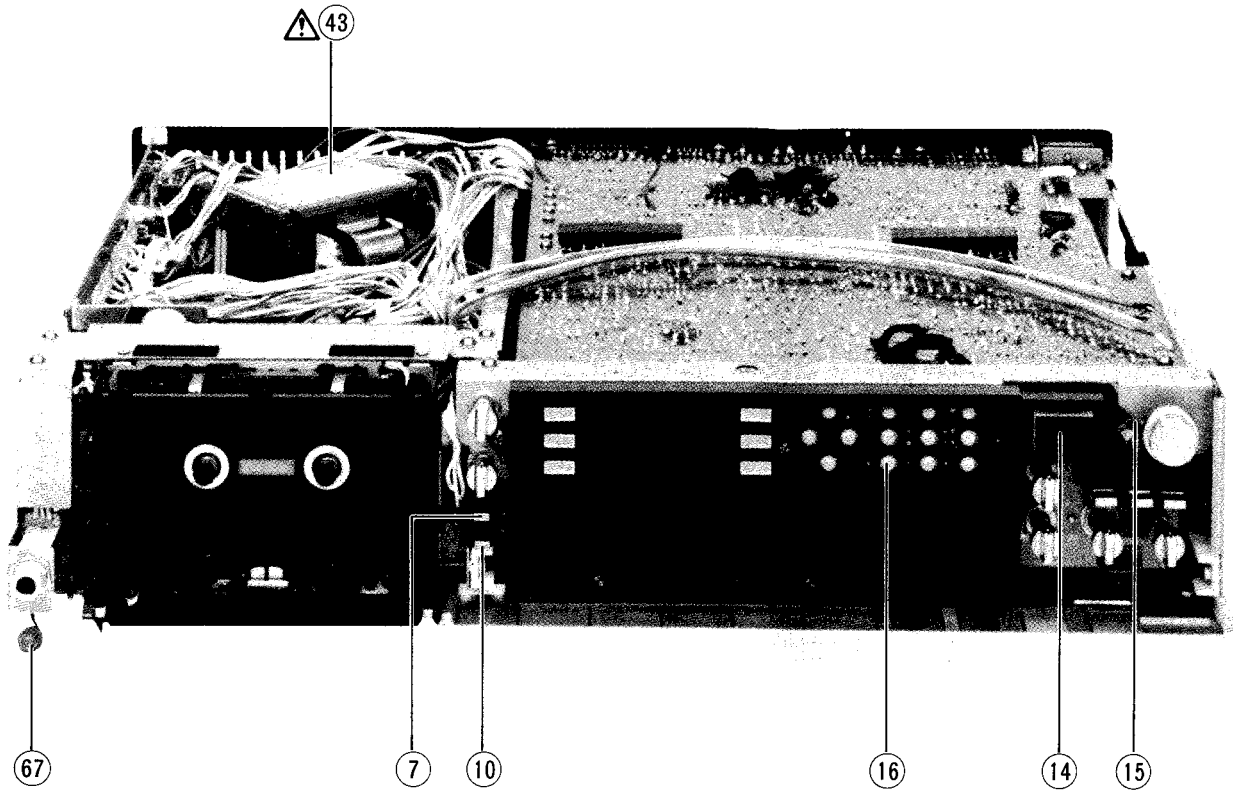
13-56 BA-T2033A280A PC OPERATE BLK GX-F91

LED P.C BOARD BLOCK
 13-57 BA-T2033A290A PC LED BLK GX-F91
 13-58 ED-337101 D LED LT9200H YLW (D1,2)
 13-59 ED-337091 D LED LT9200N GRN (D3)

SYMBOL FOR COLOR VARIATION

NONE - SILVER
 P - PEARL SHADOW
 B or BL - BLACK

ASSEMBLY BLOCK



14. ASSEMBLY BLOCK

REF. NO.	PARTS NO.	DESCRIPTION
INPUT P.C BOARD BLOCK		
14-1x	EV-337312	VR DETENT 01P20x0A M503 N503 (VR1)
14-2x	EV-337310	VR DETENT 00P20x0A A503 (VR2)
MODE P.C BOARD BLOCK		
14-3x	ES-337232	SW ROTARY SBM1023N 2-02-03N (SW1,2)
COUNTER RESET P.C BOARD BLOCK		
14-4	ES-336780	SW TACT KHH10902 (SW1,2)
OUTPUT P.C BOARD BLOCK		
14-5x	EV-337314	VR ROTARY 12P20x0C A203 (VR1)
14-6x	EV-337313	VR DETENT 00P20x0B B502 (VR2)
HOLDER COUNTER KNOB BLOCK		
14-7	SK-332645A	KNOB COUNTER (A)
14-8x	SK-332645B	KNOB COUNTER (A)-P
14-9x	SK-332645C	KNOB COUNTER (A)-B
14-10	SK-332646A	KNOB COUNTER (B)
14-11x	SK-332646B	KNOB COUNTER (B)-P
14-12x	SK-332646C	KNOB COUNTER (B)-B
VOLUME BLOCK		
14-13x	EV-337106	VR ROTARY 16L10x0T B103 (VR902)
HOLDER METER BLOCK		
14-14	SK-332685	KNOB MONITOR
14-15	ZG-313152	SP C-2.5/0.2-10.0 C-002
14-16	ES-337349	SW ASSIST T2033D4710 RUBBER SHEET

ASSEMBLY BLOCK

14-17	SP-332677A	PANEL REAR GX-F91(U) AS
14-18x	SP-332677B	PANEL REAR GX-F91(J) AS
14-19x	SP-332677C	PANEL REAR GX-F91(C) AS
14-20x	SP-332677D	PANEL REAR GX-F91(A) AS
14-21x	SP-332677E	PANEL REAR GX-F91(E,V) AS
14-22x	SP-332677F	PANEL REAR GX-F91(B,S) AS
14-23	ZS-447761	T2BR30x06STL BNI
14-24x	ZG-313068	SP T1-6.3/0.5-16.0 T1-180
14-25x	ZG-312924	SP T1-3.2/0.2-12.5 T1-041
14-26x	ZG-313070	SP T1-6.3/0.5-10.0 T1-182
14-27x	TC-336512	COVER HINGE (R)
14-28x	TC-336513	COVER HINGE (L)
14-29x	ZG-313031	SP T1-5.0/0.32-28.0 T1-144
14-30x	ZW-312121	RV NYL26x042 BL
14-31x	ZW-698308	RV NYL30x055 BL
14-32	SP-332678	COVER BOTTOM
14-33	SA-305646	RUBBER FOOT (A) (BLACK)
14-34x	ZS-494842	T2BID30x08STL CMT PW080
14-35	EW-306428	△ AC CORD 2 CORES KP-205A VFF J (U)
14-36x	EW-306427	△ AC CORD 2 CORES KP-211, VFF J (J)
14-37x	EW-305691	△ AC CORD 2 CORES KP-8, SPT-1 UC (C,A)
14-38x	EW-313882	△ AC CORD 2 CORES KP-419C, LTCE-2F E (E,V)
14-39x	EW-313884	△ AC CORD 2 CORES GTBS-2F 24/0.20x2 B (B)
14-40x	EW-201515	△ AC CORD 2 CORES KP-560, LTSA-2FS (S)
14-41	SZ-631945	STRAIN RELIEF SR-4N-4 (EXCEPT B)
14-42x	EJ-692908	STRAIN RELIEF SR-5N-4 (B)
14-43	BT-337113	△ TRANS POWER T2033-U
14-44x	BT-337114	△ TRANS POWER T2033-J
14-45x	BT-337115	△ TRANS POWER T2033-A.C
14-46x	BT-337116	△ TRANS POWER T2033-E.V
14-47x	BT-337117	△ TRANS POWER T2033-B.S
14-48x	ZS-301398	ST BID40x08STL CMT

REF. NO.	PARTS NO.	DESCRIPTION
14-49	ZS-447840	T2BR30x08STL CMT
14-50x	ZS-463353	T2BR30x08STL BNI (P,BL)
14-51x	EF-306949	△ FUSE TSC A 250V 1.25A (F2,3) (U,J)
14-52x	EF-327103	△ FUSE TSC A 250V 0.50A (F4) (U,J)
14-53x	EF-306949	△ FUSE TSC A 250V 1.25A (F5,6) (U,J)
14-54x	EF-327103	△ FUSE TSC A 250V 0.50A (F7) (U,J)
14-55x	EF-308933	△ FUSE TSC A 250V 0.20A (F8,9) (J)
14-56x	EF-309392	△ FUSE TSC 125V 1.25A (F2,3) (C,A)
14-57x	EF-309390	△ FUSE TSC 125V 0.50A(F4) (C,A)
14-58x	ZS-300519	△ ST PAN40x08STL CMT (F5,6) (C,A)
14-59x	EF-309390	△ FUSE TSC 125V 0.50A(F7) (C,A)
14-60x	EF-315334	△ FUSE TSC 125V 0.25A (F8,9) (C,A)
14-61x	EF-695766	△ FUSE SEMKO T 250V 0.31A (F1) (E,B,S,V)
14-62x	EF-602550	△ FUSE SEMKO T 250V 1.25A (F2,3) (E,B,S,V)
14-63x	EF-593706	△ FUSE SEMKO T 250V 0.50A (F4) (E,B,S,V)
14-64x	EF-602550	△ FUSE SEMKO T 250V 1.25A (F5,6) (E,B,S,V)
14-65x	EF-593706	△ FUSE SEMKO T 250V 0.50A (F7) (E,B,S,V)
14-66x	EF-300588	△ FUSE EAWK T 250V 0.20A (F8,9) (E,B,S,V)
14-67	EL-337053	PL CORD 16.0V 80MA 400/400

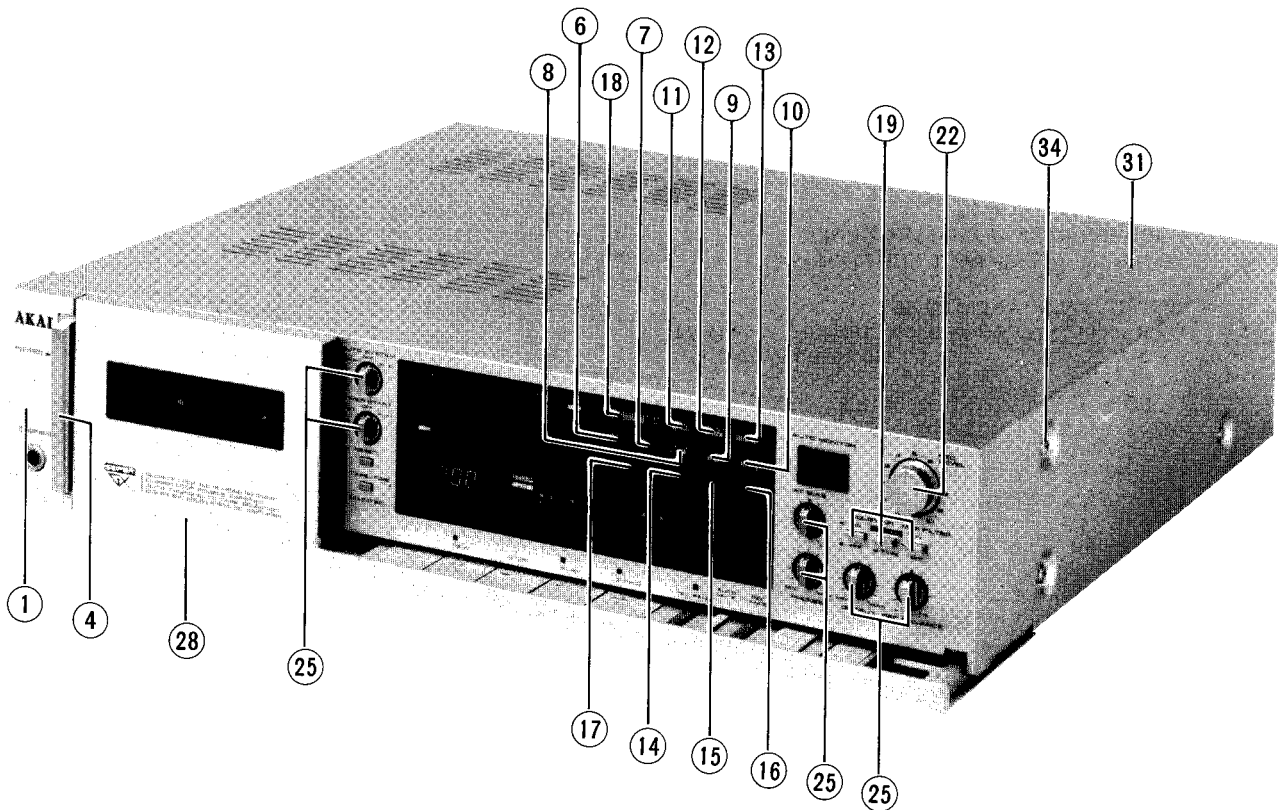
SYMBOL FOR DISTINATION

U	: UNIVERSAL AREA
A	: AMERICA
B	: UK
C	: CANADA
E	: EUROPE
J	: JAPAN
S	: AUSTRALIA
V	: GERMANY

SYMBOL FOR COLOR VARIATION

NONE	- SILVER
P	- PEARL SHADOW
B or BL	- BLACK

FINAL ASSEMBLY BLOCK



15. FINAL ASSEMBLY BLOCK

REF. NO.	PARTS NO.	DESCRIPTION
----------	-----------	-------------

PANEL FRONT BLOCK

15-1	BD-B332683A	PANEL FRONT PART
15-2x	BD-B332683B	PANEL FRONT-P PART
15-3x	BD-B332683C	PANEL FRONT-B PART
15-4	SK-336251	KNOB POWER
15-5x	SK-336252	KNOB SPACER
15-6	SK-332640A	KNOB (C-1)
15-7	SK-332640B	KNOB (C-2)
15-8	SK-332640C	KNOB (C-3)
15-9	SK-332640D	KNOB (C-4)
15-10	SK-332640E	KNOB (C-5)
15-11	SK-332640F	KNOB (C-6)
15-12	SK-332640G	KNOB (C-7)
15-13	SK-332640H	KNOB (C-8)
15-14	SK-332640J	KNOB (C-9)
15-15	SK-332640K	KNOB (C-10)
15-16	SK-332640L	KNOB (C-11)
15-17	SK-332641A	KNOB (D-1)
15-18	SK-332641B	KNOB (D-2)

FINAL ASSEMBLY BLOCK

15-19	SK-336530A	KNOB DOLBY
15-20x	SK-336530B	KNOB DOLBY-P (P)
15-21x	SK-336530C	KNOB DOLBY-B (BL)
15-22	SK-332706A	KNOB (A)
15-23x	SK-332706B	KNOB (A)-P (P)
15-24x	SK-332706C	KNOB (A)-B (BL)
15-25	SK-332707A	KNOB (B)
15-26x	SK-332707B	KNOB (B)-P (P)

REF. NO.	PARTS NO.	DESCRIPTION
----------	-----------	-------------

15-27x	SK-332707C	KNOB (B)-B (BL)
15-28	BD-B332636A	LID PANEL PART
15-29x	BD-B332636B	LID PANEL-P PART (P)
15-30x	BD-B332636C	LID PANEL-B PART (BL)
15-31	SP-332684A	COVER UPPER
15-32x	SP-332684B	COVER UPPER-P (P)
15-33x	SP-332684C	COVER UPPER-B (BL)
15-34	ZS-341963	XST BID40x06STL NI3
15-35x	ZS-341964	XST BID40x06STL BNI (P,BL)
15-36x	ZW-305013	RV POP32 (A)

SYMBOL FOR COLOR VARIATION

NONE	- SILVER
P	- PEARL SHADOW
B or BL	- BLACK

When ordering parts, please quote Parts Number, Description and Model Number.

INDEX

PARTS NO.	REF. NO.	PARTS NO.	REF. NO.	PARTS NO.	REF. NO.	PARTS NO.	REF. NO.
AX-336835	5-BT1	EC-337002	3-C68	ED-301911	5-D23to27	EI-336761	5-IC13to16
BA-T2033A190A	7-1	EC-337002	5-C21	ED-301911	5-D29,30	EI-336761	7-IC3,4
BA-T2033A210A	3-1	EC-337017	4-X2	ED-301911	7-D33to35	EI-336994	3-IC11
BA-T2033A210B	3-2	EC-337261	3-C88	ED-301911	7-D1to5	EI-337006	4-IC8
BA-T2033A210C	3-3	EC-337261	3-C2	ED-301911	7-D8to31	EI-337008	4-IC3,4
BA-T2033A210D	3-4	EC-337261	3-C18	ED-301911	7-D36	EI-337009	4-IC5
BA-T2033A250A	5-1	EC-337294	3-C137to140	ED-302295	6-D10	EI-337013	4-IC6,7
BA-T2033A280A	13-56	EC-337294	3-C6,7	ED-306109	6-D1to4	EI-337118	5-IC1
BA-T2033A290A	13-57	EC-337294	3-C51	ED-306983	3-D16	EI-337123	4-X1
BA-T2033A300A	4-1	EC-337294	3-C64	ED-306983	3-D17	EI-337126	7-IC5
BA-T2033A310A	6-1	EC-338094	3-C112,113	ED-308952	3-D5	EI-337329	6-IC1
BA-T2033A310B	6-2	EC-338341	4-SR4	ED-308952	3-D10	EI-337360	3-IC1
BA-T2033A310C	6-3	EC-338400	6-C1	ED-308953	7-D6,7	EI-337360	3-IC8
BA-T2033A310D	6-4	EC-338419	6-C1	ED-312101	8-D4	EI-337360	3-IC12
BA-T2033A310E	6-5	EC-338430	5-C16	ED-312108	8-D7	EI-337370	5-IC6
BA-T2033A310F	6-6	EC-338431	5-C14	ED-328791	10-D16	EI-337568	9-IC3,4
BD-B332636A	15-28	EC-338433	5-C27	ED-330622	6-D15	EI-338238	5-IC2
BD-B332636B	15-29x	EC-338434	5-C9	ED-330987	6-D7	EJ-283140	6-VS1
BD-B332636C	15-30x	EC-338434	5-C42	ED-331198	7-D32	EJ-324276	4-J1
BD-B332683A	15-1	EC-338435	3-C72	ED-331617	5-D28	EJ-336885	3-J1
BD-B332683B	15-2x	EC-338435	3-C85	ED-332243	12-D1	EJ-336886	3-J1
BD-B332683C	15-3x	EC-338435	3-C15	ED-336786	12-D2	EJ-337097	3-J1
BD-B332688A	13-49	EC-338435	3-C31	ED-337010	1-26	EJ-337098	3-J1
BD-B332688B	13-50x	EC-338449	5-C71	ED-337010	13-48	EJ-692908	14-42x
BD-B332688C	13-51x	EC-338451	5-C72	ED-337090	5-D8	EL-337053	14-67
BD-B336162A	1-63	EC-338468	3-C52,53	ED-337090	5-D11	EM-337125	8-IN1
BF-B336024	2-16	EC-338469	3-C54	ED-337091	10-D1to6	EO-315758	5-FL1
BH-T2033A360A	1-1x	EC-338506	3-C5	ED-337091	13-59	EO-336738	3-FL1
BL-B332649	13-9	EC-338506	3-C63	ED-337093	10-D17	EO-336738	3-FL5
BL-B332650	13-17	EC-338506	5-C23	ED-337093	10-D7	EO-337343	5-T1,2
BL-B332654	13-10	EC-338578	5-C15	ED-337101	13-58	EO-669273	1-22x
BL-B332654X2	13-18	EC-338579	5-C12	ED-337266	4-D15	EO-669273	11-L1,2
BL-B336007	2-6	EC-338592	6-C1	ED-337268	4-D16,17	EP-328529	5-RL1
BL-B336009	2-12	EC-341388	5-C17	ED-337330	8-D5,6	ER-201749	6-C18
BL-B336150	1-41	EC-341388	5-C20	ED-337848	10-D8to15	ER-301387	3-R104
BL-B336196	1-37	EC-341388	5-C69	ED-338013	6-D5	ER-310324	3-R204
BL-B336202	1-49	EC-341389	5-C19	ED-338082	6-D9	ER-310326	3-R206
BL-T2030A160A	1-23	EC-341389	5-C29	ED-338083	6-D8	ER-311757	3-R10
BL-T2030A170A	1-25	EC-341391	3-C4	ED-338318	6-D16	ER-311763	3-R110,111
BM-B336989	1-21	EC-341391	3-C62	ED-338322	6-D11to14	ER-311767	3-R112
BM-B337064	2-22	EC-341391	5-C22	ED-338332	5-D14	ER-311773	3-R207
BM-M3104A010A	2-1x	EC-341391	5-C77	ED-338333	5-D19	ER-314597	3-R49
BM-T2030A120A	1-20	EC-341493	5-C26	ED-338477	5-TH1	ER-314597	3-R74
BM-337351	13-5	EC-341395	3-C42	ED-338540	6-D6	ER-314597	3-R142
BR-336606	1-31	EC-341396	3-C44	ED-338551	9-D5	ER-314597	3-R156
BR-342719	1-32	EC-341396	3-C45	EF-300588	14-66x	ER-314626	3-R205
BT-337113	14-43	EC-341407	3-C75	EF-306949	14-51x	ER-314630	3-R9
BT-337114	14-44x	EC-341407	3-C34	EF-306949	14-53x	ER-314630	3-R32
BT-337115	14-45x	EC-341407	3-C48	EF-308933	14-55x	ER-318248	3-FR5
BT-337116	14-46x	EC-341408	3-C49	EF-309390	14-57x	ER-318647	5-FR1to5
BT-337117	14-47x	EC-341409	3-C50	EF-309390	14-59x	ER-328490	3-FL3
BZ-T2030A110A	1-16	EC-341410	3-C55	EF-309392	14-56x	ER-328491	3-FL2
BZ-T2033A070A	13-15	EC-341411	3-C3	EF-315334	14-60x	ER-328491	3-FL4
BZ-T2033A340A	1-27x	EC-341411	3-C46	EF-327103	14-54x	ER-328491	5-FL2
EA-336012	2-15	EC-341411	3-C61	EF-327103	14-52x	ER-328519	3-FR1,2
EC-200948	5-C66,67	EC-377212	3-C99	EF-593706	14-63x	ER-331188	3-FR3,4
EC-201758	6-C2,3	EC-443654	5-C56	EF-593706	14-65x	ER-337374	4-SR2
EC-300034	5-VC1,2	EC-483300	3-C1	EF-602550	14-62x	ER-337376	4-SR3
EC-306018	3-C105	EC-637143	3-C122	EF-602550	14-64x	ER-337380	5-FL3
EC-306018	5-C44	ED-200212	10-D21to29	EF-695766	14-61x	ER-337631	4-SR1
EC-306018	5-C46	ED-200468	4-D8	EI-201940	9-IC1	ER-337871	4-FR1to3
EC-307684	5-C64	ED-200468	4-D10to12	EI-213390	5-IC12	ER-338108	3-R50
EC-308142	3-C98	ED-200468	4-D18	EI-304164	7-IC1	ER-338108	3-R157
EC-308142	3-C118	ED-200468	4-D22to24	EI-306009	3-IC2,3	ER-338109	3-R103
EC-314986	7-C16,17	ED-200468	4-D21,22	EI-306009	3-IC5,6	ER-338183	3-R87
EC-318313	3-C47	ED-200468	6-D17	EI-314647	3-IC10	ER-338184	3-R88,89
EC-321349	5-C43	ED-200468	11-D1,2	EI-315379	7-IC6,7	ER-338184	3-R243
EC-321583	5-C47	ED-200469	4-D14	EI-317653	5-IC5	ER-338186	3-R95
EC-324921	3-C60	ED-200469	8-D8to11	EI-319555	7-IC2	ER-338187	3-R97
EC-327097	3-C82to84	ED-200469	8-D1to3	EI-324255	5-IC7to11	ER-338187	3-R100
EC-327097	3-C12to14	ED-301911	3-D1to4	EI-325755	8-IC1	ER-338221	3-R17,18
EC-327097	3-C28to30	ED-301911	3-D11to13	EI-328690	5-IC3	ER-338221	3-R24
EC-327097	3-C69to71	ED-301911	3-D6to9	EI-330352	4-IC10	ER-338221	3-R119,120
EC-328862	3-C110,111	ED-301911	3-D18to20	EI-330475	5-IC4	ER-338222	3-R19,20
EC-330310	5-C28	ED-301911	4-D26	EI-331275	4-IC2	ER-338222	3-R121,122
EC-334064	5-C60	ED-301911	5-D1to7	EI-336761	3-IC4	ER-338223	3-R90,91
EC-337002	3-C100	ED-301911	5-D9,10	EI-336761	3-IC7	ER-338224	3-R96
EC-337002	3-C143	ED-301911	5-D12,13	EI-336761	3-IC9	ER-338225	3-R101,102
EC-337002	3-C11	ED-301911	5-D15to18	EI-336761	4-IC1	ER-338227	3-R126
EC-337002	3-C27	ED-301911	5-D20,21	EI-336761	4-IC9	ER-338228	3-R134

INDEX

PARTS NO.	REF. NO.	PARTS NO.	REF. NO.	PARTS NO.	REF. NO.	PARTS NO.	REF. NO.
ER-338231	4-R128	ET-328868	5-TR17	EV-337313	14-6x	SK-332694A	13-23
ER-338232	4-R127	ET-328868	5-TR30	EV-337314	14-5x	SK-332694B	13-24x
ER-338233	4-R126	ET-328868	5-TR61,62	EV-338570	5-VR1	SK-332694C	13-25x
ER-338234	4-R125	ET-328868	11-TR2,3	EV-341209	3-VR1	SK-332694D	13-26
ER-338235	4-R124	ET-336997	4-TR16,17	EV-341209	3-VR4	SK-332694E	13-27x
ER-338319	6-R1	ET-336997	4-TR31,32	EV-341209	3-VR8	SK-332694F	13-28x
ER-338325	5-R177	ET-336997	5-TR11to13	EV-341209	5-VR2,3	SK-332699A	13-38
ER-338326	5-R178	ET-337011	9-TR1	EV-464253	9-VR1,2	SK-332699B	13-39x
ER-338498	3-R241,242	ET-337011	9-TR3	EV-483377	3-VR2	SK-332699C	13-40x
ER-338593	7-R27	ET-337012	9-TR4	EV-483377	3-VR7	SK-332706A	15-22
ER-341398	3-R114	ET-337012	9-TR2	EV-522663	7-VR2	SK-332706B	15-23x
ER-341399	3-R202,203	ET-337111	3-TR19	EV-572422	7-VR1	SK-332706C	15-24x
ER-341399	3-R208,209	ET-337234	3-TR29	EV-623193	3-VR10	SK-332707A	15-25
ER-658034	4-R12	ET-337234	3-TR4	EV-648753	5-VR4	SK-332707B	15-26x
ES-283072	3-SW1	ET-337234	5-TR24	EW-201515	14-40x	SK-332707C	15-27x
ES-309311	12-SW1	ET-337234	5-TR33	EW-305691	14-37x	SK-336251	15-4
ES-312234	6-SW1	ET-337235	3-TR44	EW-306427	14-36x	SK-336252	15-5x
ES-312235	6-SW1	ET-337235	3-TR46	EW-306428	14-35	SK-336530A	15-19
ES-312238	6-SW1	ET-337258	3-TR36	EW-313882	14-38x	SK-336530B	15-20x
ES-336780	14-4	ET-337258	3-TR26	EW-313884	14-39x	SK-336530C	15-21x
ES-336990	1-19	ET-337359	5-PH1	HE-337372	1-10	SP-332677A	14-17
ES-337232	14-3x	ET-337760	6-TR8	HP-H2402A010A	1-4	SP-332677B	14-18x
ES-337311	3-SW2	ET-337967	3-TH12	HZ-336129	1-6	SP-332677C	14-19x
ES-337319	3-SW3	ET-337967	3-TR28	HZ-336195	1-9	SP-332677D	14-20x
ES-337319	3-SW4	ET-337967	5-TR25,26	HZ-336205	1-51	SP-332677E	14-21x
ES-337344	1-14	ET-338180	3-TR31	MB-336021	2-25	SP-332677F	14-22x
ES-337349	14-16	ET-338180	3-TR6	MB-336026	2-19	SP-332678	14-32
ES-691457	13-7	ET-338180	5-TR35	MB-666123	13-8	SP-332684A	15-31
ET-200505	3-TR39to42	ET-338181	3-TR33	MI-336025	2-17	SP-332684B	15-32x
ET-200505	3-TR37	ET-338181	3-TR8	ML-336158	1-59	SP-332684C	15-33x
ET-200505	3-TR45	ET-338181	5-TR37	ML-336159	1-60	SP-336163	1-64
ET-200505	3-TR47to49	ET-338244	3-TR34	MP-336153	1-42	SZ-330911	13-52x
ET-200505	3-TR2,3	ET-338244	3-TR9	MP-336204	1-50	SZ-330911B	13-53x
ET-200505	3-TR14to18	ET-338244	5-TR38	MR-336019	2-24	SZ-336166	1-66
ET-200505	4-TR33	ET-338324	5-TR16	MR-336511	13-6	SZ-631945	14-41
ET-200505	4-TR8,9	ET-338350	3-TR20	MT-305793	1-36	TC-B336004A	2-2
ET-200505	4-TR15	ET-338350	5-TR34	MV-357208	1-56	TC-T2033A040A	13-13
ET-200505	4-TR29	ET-338446	3-TR21	MZ-332667	13-1	TC-332657	13-3
ET-200505	4-TR21to25	ET-338447	3-TR24	MZ-336005	2-4	TC-332661	13-11
ET-200505	11-TR1	ET-341400	3-TR35	MZ-336006	2-8	TC-332666	13-14
ET-200558	5-TR5to10	ET-341400	3-TR10	SA-305646	14-33	TC-336002	2-10
ET-200558	5-TR69	ET-341400	3-TR25	SE-332689A	13-20	TC-336016	2-20
ET-200985	5-TR1to4	ET-539133	4-TR40	SE-332689B	13-21x	TC-336027	2-21
ET-200985	5-TR18to23	ET-554657	3-TR59	SE-332689C	13-22x	TC-336142	1-34
ET-200985	5-TR31,32	ET-554657	4-TR27	SK-B332695A	13-29	TC-336146	1-24
ET-200985	5-TR40,41	ET-554657	4-TR30	SK-B332695B	13-30x	TC-336161	1-62
ET-200985	5-TR43to48	ET-554657	7-TR12	SK-B332695C	13-31x	TC-336506	13-2
ET-200985	5-TR50,51	ET-554657	7-TR3,4	SK-B332696A	13-32	TC-336512	14-27x
ET-200985	5-TR56to60	ET-554657	7-TR1	SK-B332696B	13-33x	TC-336513	14-28x
ET-200985	5-TR63to68	ET-638504	4-TR41	SK-B332696C	13-34x	TC-336605	1-28
ET-200986	6-TR1	ET-639437	3-TR11	SK-B332697A	13-35	TC-342413	13-19
ET-307349	5-TR42	ET-639437	3-TR38	SK-B332697B	13-36x	ZG-312924	14-25x
ET-307349	5-TR49	ET-639437	3-TR43	SK-B332697C	13-37x	ZG-312946	1-39
ET-307349	5-TR70	ET-639437	3-TR60	SK-B332701A	13-41	ZG-312961	13-16
ET-308954	3-TR32	ET-639437	3-TR13	SK-B332701B	13-42	ZG-313031	14-29x
ET-308954	3-TR7	ET-639437	4-TR1	SK-B332701C	13-43x	ZG-313068	14-24x
ET-308954	3-TR22,23	ET-639437	5-TR27to29	SK-B332701D	13-44x	ZG-313070	14-26x
ET-308954	3-TR27	ET-639437	5-TR39	SK-B332704A	13-45	ZG-313152	14-15
ET-308954	5-TR36	ET-639437	5-TR71	SK-B332704B	13-46x	ZG-321534	1-46
ET-308977	5-TR52to55	ET-639437	6-TR3	SK-B332704C	13-47x	ZG-324331	1-38
ET-309353	3-TR55	ET-639437	6-TR5	SK-332640A	15-6	ZG-336011	2-13
ET-310148	3-TR51	ET-639437	6-TR7	SK-332640B	15-7	ZG-336127	1-2
ET-310148	3-TR52	ET-639437	6-TR9	SK-332640C	15-8	ZG-336130	1-8
ET-311977	1-18	ET-639437	7-TR2	SK-332640D	15-9	ZG-336140	1-30
ET-318237	3-TR58	ET-639437	7-TR13to21	SK-332640E	15-10	ZG-336141	1-33
ET-322598	3-TR50	ET-639437	7-TR5to11	SK-332640F	15-11	ZG-336157	1-57
ET-322598	3-TR53	EV-301729	3-VR6	SK-332640G	15-12	ZG-336160	1-61
ET-322598	6-TR2	EV-312338	3-VR9	SK-332640H	15-13	ZG-336175	1-45
ET-322598	6-TR4	EV-314646	5-VR7	SK-332640J	15-14	ZG-336206	1-53
ET-322598	6-TR6	EV-315413	5-VR10	SK-332640K	15-15	ZG-336208	1-55
ET-324134	3-TR56	EV-315416	5-VR9	SK-332640L	15-16	ZG-336524	13-12
ET-324134	11-TR4,5	EV-315752	5-VR6	SK-332641A	15-17	ZG-336615	1-65
ET-328437	3-TR1	EV-321637	5-VR5	SK-332641B	15-18	ZG-341972	1-13
ET-328440	3-TR57	EV-321637	5-VR8	SK-332645A	14-7	ZS-300519	14-58x
ET-328578	3-TR30	EV-330369	3-VR3	SK-332645B	14-8x	ZS-301398	14-48x
ET-328578	3-TR54	EV-330369	3-VR5	SK-332645C	14-9x	ZS-310337	1-15
ET-328578	3-TR5	EV-337052	2-3	SK-332646A	14-10	ZS-312963	13-55
ET-328868	4-TR10to14	EV-337106	14-13x	SK-332646B	14-11x	ZS-341963	15-34
ET-328868	4-TR19,20	EV-337310	14-2x	SK-332646C	14-12x	ZS-341964	15-35x
ET-328868	5-TR14,15	EV-337312	14-1x	SK-332685	14-14	ZS-342002	1-58

INDEX

PARTS NO.	REF. NO.	PARTS NO.	REF. NO.	PARTS NO.	REF. NO.	PARTS NO.	REF. NO.
ZS-342086	1-11						
ZS-356681	13-54						
ZS-432843	2-5						
ZS-447761	14-23						
ZS-447840	14-49						
ZS-463353	14-50x						
ZS-477876	1-5						
ZS-477876	2-14						
ZS-477876	2-23						
ZS-479474	2-11						
ZS-494842	14-34x						
ZS-499331	1-12						
ZS-563444	1-29						
ZS-608095	1-3						
ZS-608095	1-52						
ZW-270088	1-17						
ZW-270088	1-40						
ZW-270088	13-4						
ZW-305013	15-36x						
ZW-306464	1-48						
ZW-309295	2-18						
ZW-312121	14-30x						
ZW-330073	1-35						
ZW-336603	1-47						
ZW-336603	2-7						
ZW-336604	2-9						
ZW-356657	1-44						
ZW-381644	1-43						
ZW-618884	1-7						
ZW-618884	1-54						
ZW-698308	14-31x						